



▲ Applications

- ECDL vertical stainless steel multistage centrifugal pumps applied high quality stainless steel material, and the mechanical seal is made of hard alloy. Long service life, light-corrosion resistance and high efficiency. Therefore, it is suitable for various industries. Lesser space requirement, space-saver. It can also be equipped with related protectors to effectively prevent from dry-running, overheat, out-of-phase and overload circumstances.
- **Water supply:** Host water supply pipe and booster of multi-storey building.
- **Industrial pressure boosting:** Air conditioning and cooling systems. Boiler feed and condensation systems. High pressure rinsing systems.
- **Water treatment:** Filters and reverse osmosis systems, distillation systems, separators.
- **Agriculture irrigation:** Large area irrigation, spray irrigation.

▲ Operating Conditions

- For clean non-flammable and non-explosive liquid, without solid, filamentary and abrasive matter.
- Ambient temperature: Max.40°C.
- Liquid temperature: Temperature range: 0~70°C.
Hot water range: 0~105°C.
- Max. Working pressure: 25~33 bar.
- Output range: 0.37~110KW (0.5~150HP)
- Remarks: If it is used for brewery or petro plants, we strongly recommend to replace standard motor for explosion proof motor.
- Altitude: Max. 1000M.

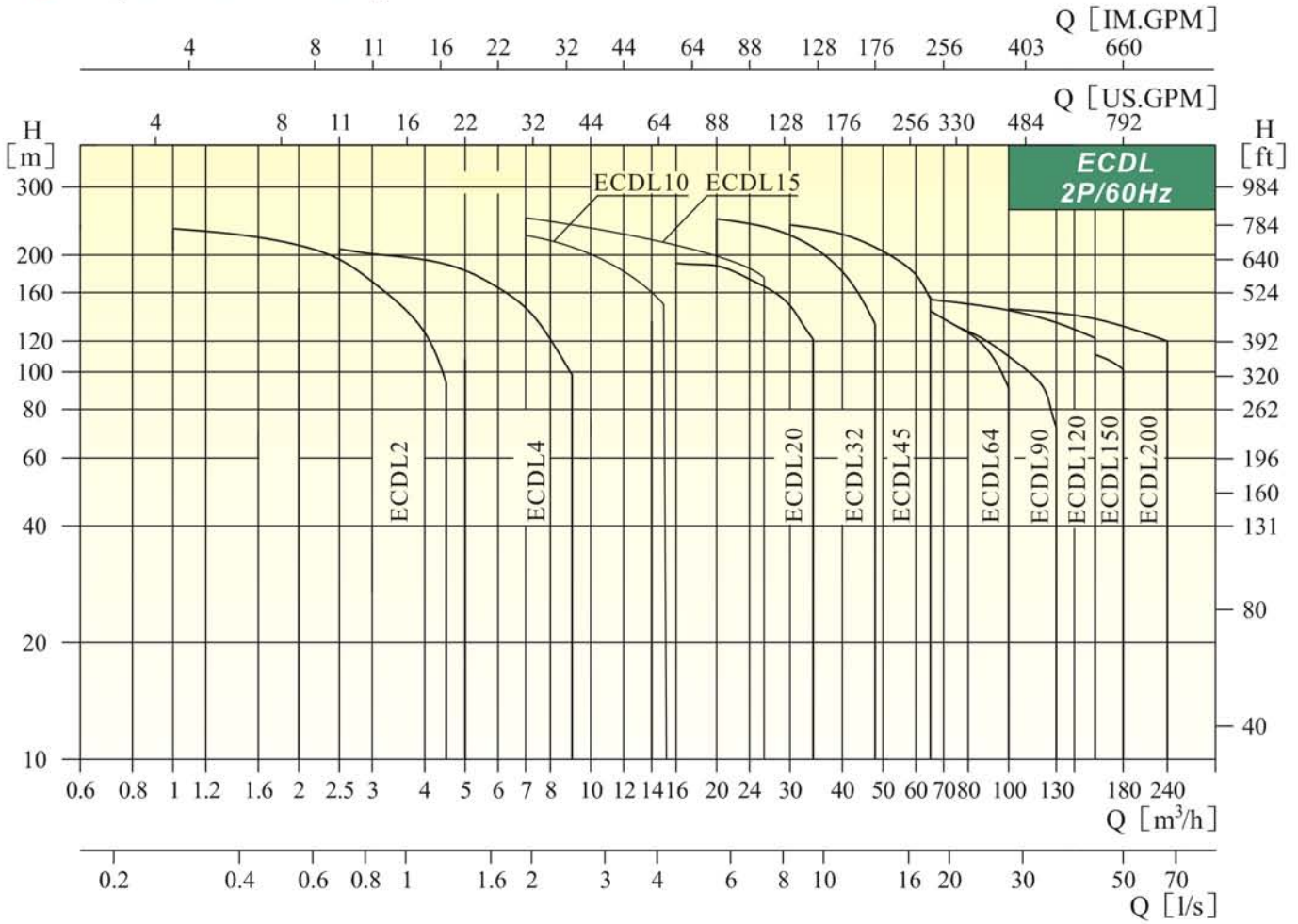
▲ Motor Spec.

- Totally enclosed fan cooled 2 pole, IEC standard motor.
- Motor range: 2P ; 60HZ.
- Protection IP54, IP55.
- Insulation class E, B, F.
- Three phase 220V~660V/Single phase 220V (0.5~3HP)
- High efficiency electric motor.

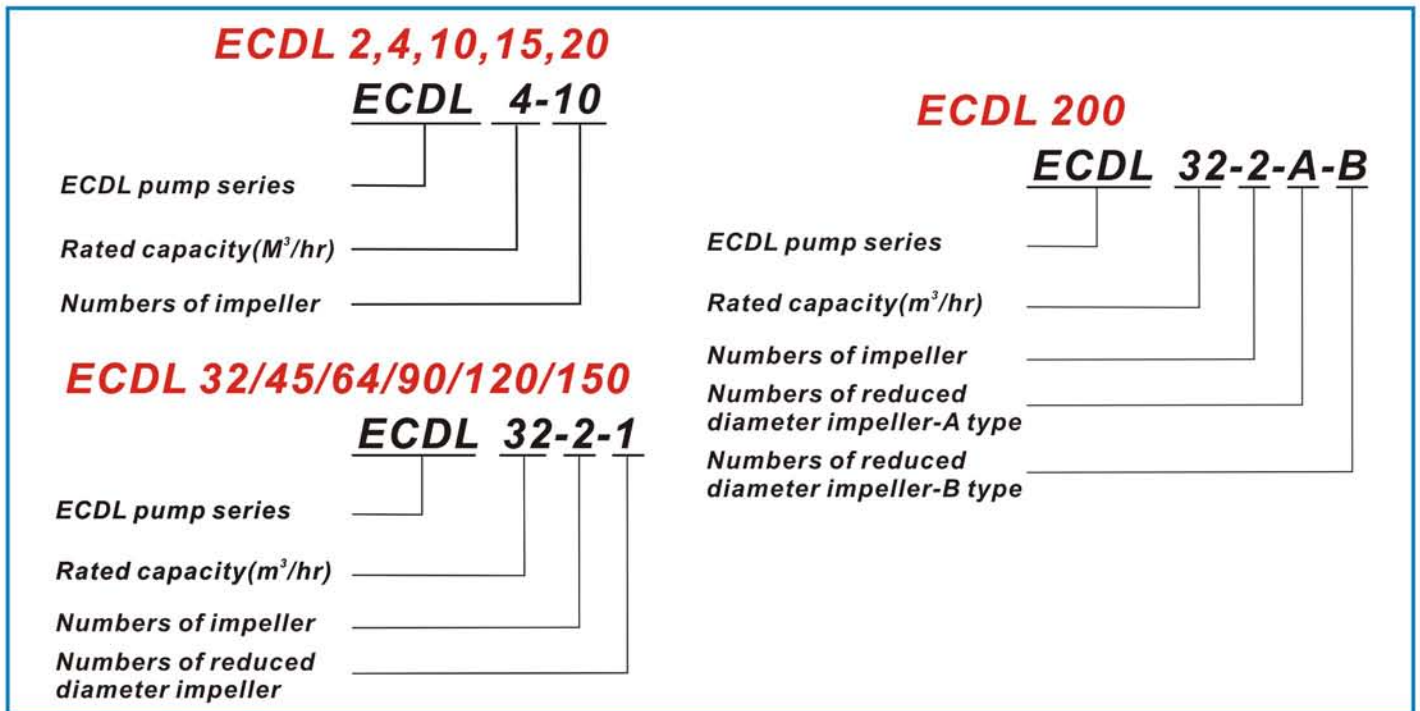


OPTIONAL
ECDL pump with explosion-proof motor

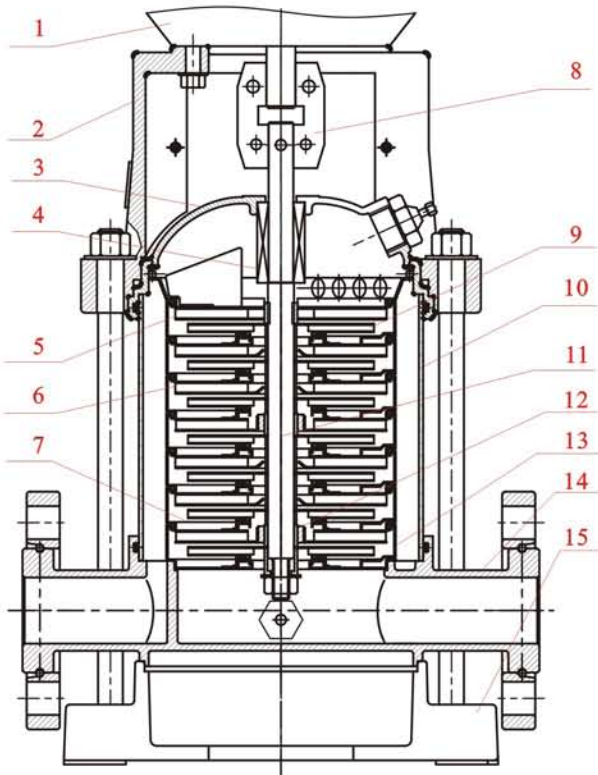
▲ Performance Ranges



▲ Model Code

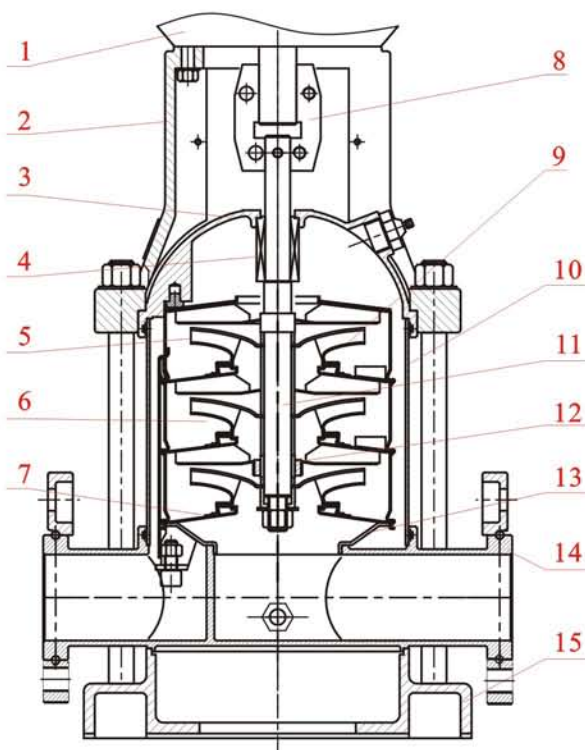


Sectional View



ECDL2,4

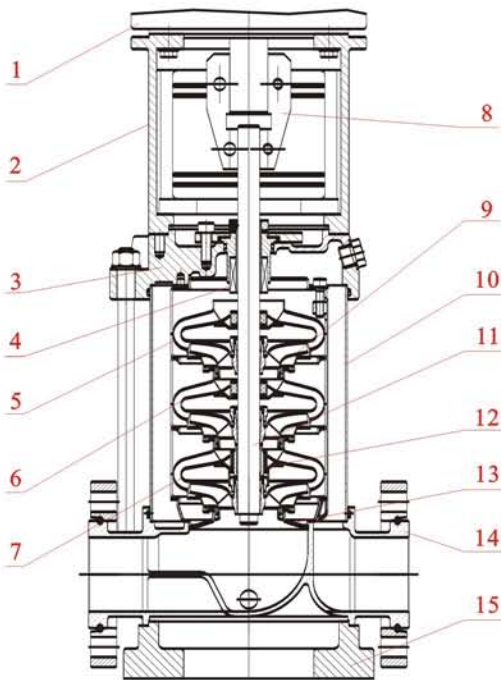
No.	DESCRIPTION	MATERIAL	AISI/ASTM
1	Motor	Assembling unit	
2	Support	Cast iron/ Ductile iron	ASTM25M ASTM70-50-05
3	Seal seat	Stainless steel	AISI 304
4	Mechanical seal	Assembling unit	
5	Outlet guide vane	Stainless steel	AISI 304
6	Guide vane	Stainless steel	AISI304
7	Support guide vane	Stainless steel	AISI304
8	Coupling	Ductile iron	ASTM70-50-05
9	Impeller	Stainless steel	AISI304
10	Shell	Stainless steel	AISI304
11	Pump shaft	Stainless steel	AISI304/ AISI316L
12	Bearing	Tungsten Carbide	
13	Inlet guide vane	Stainless steel	AISI304
14	Inlet & outlet seat	Stainless steel	AISI304
15	Seat	Ductile iron	ASTM25B



ECDL10,15,20

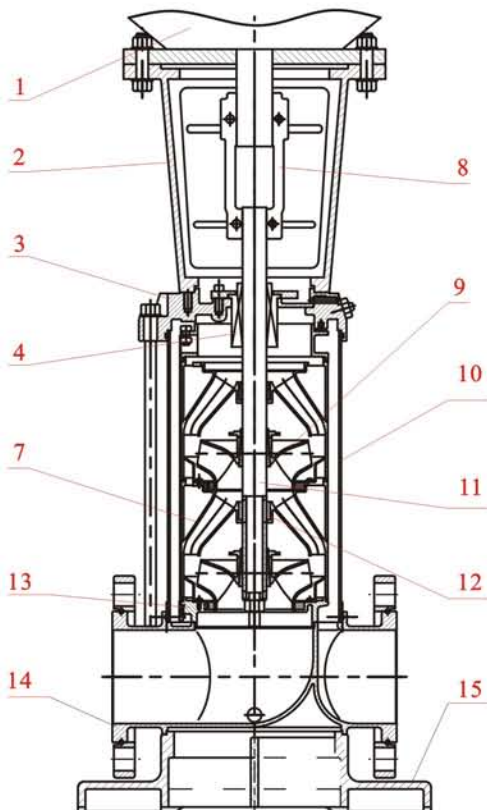
No.	DESCRIPTION	MATERIAL	AISI/ASTM
1	Motor	Assembling unit	
2	Support	Cast iron/ Ductile iron	ASTM25M ASTM70-50-05
3	Seal seat	Stainless steel	AISI 304
4	Mechanical seal	Assembling unit	
5	Outlet guide vane	Stainless steel	AISI 304
6	Guide vane	Stainless steel	AISI304
7	Support guide vane	Stainless steel	AISI304
8	Coupling	Ductile iron	ASTM70-50-05
9	Impeller	Stainless steel	AISI304
10	Shell	Stainless steel	AISI304
11	Pump shaft	Stainless steel	AISI304/ AISI316L
12	Bearing	Tungsten Carbide	
13	Inlet guide vane	Stainless steel	AISI304
14	Inlet & outlet seat	Stainless steel	AISI304
15	Seat	Ductile iron	ASTM25B

Sectional View



ECDL32,45,64,90

No.	DESCRIPTION	MATERIAL	AISI/ASTM
1	Motor	Assembling unit	
2	Support	Cast iron/ Ductile iron	ASTM25M
3	Seal seat	Stainless steel	AISI 304
4	Mechanical seal	Assembling unit	
5	Outlet guide vane	Stainless steel	AISI 304
6	Guide vane	Stainless steel	AISI304
7	Support guide vane	Stainless steel	AISI304
8	Coupling	Ductile iron	ASTM70-50-05
9	Impeller	Stainless steel	AISI304
10	Shell	Stainless steel	AISI304
11	Pump shaft	Stainless steel	AISI304 AISI316L / AISI431
12	Bearing	Tungsten Carbide	
13	Inlet guide vane	Stainless steel	AISI304
14	Inlet & outlet seat	Stainless steel	AISI304
15	Seat	Ductile iron	ASTM25B



ECDL120, 150, 200

No.	DESCRIPTION	MATERIAL	AISI/ASTM
1	Motor	Assembling unit	
2	Support	Cast iron/ Ductile iron	ASTM25M ASTM70-50-05
3	Seal seat	Stainless steel	AISI 304
4	Mechanical seal	Assembling unit	
7	Support guide vane	Stainless steel	AISI304
8	Coupling	Ductile iron	ASTM70-50-05
9	Impeller	Stainless steel	AISI304
10	Shell	Stainless steel	AISI304
11	Pump shaft	Stainless steel	AISI304 AISI316L / AISI431
12	Bearing	Tungsten Carbide	
13	Inlet guide vane	Stainless steel	AISI304
14	Inlet & outlet seat	Stainless steel	AISI304
15	Seat	Ductile iron	ASTM70-50-05

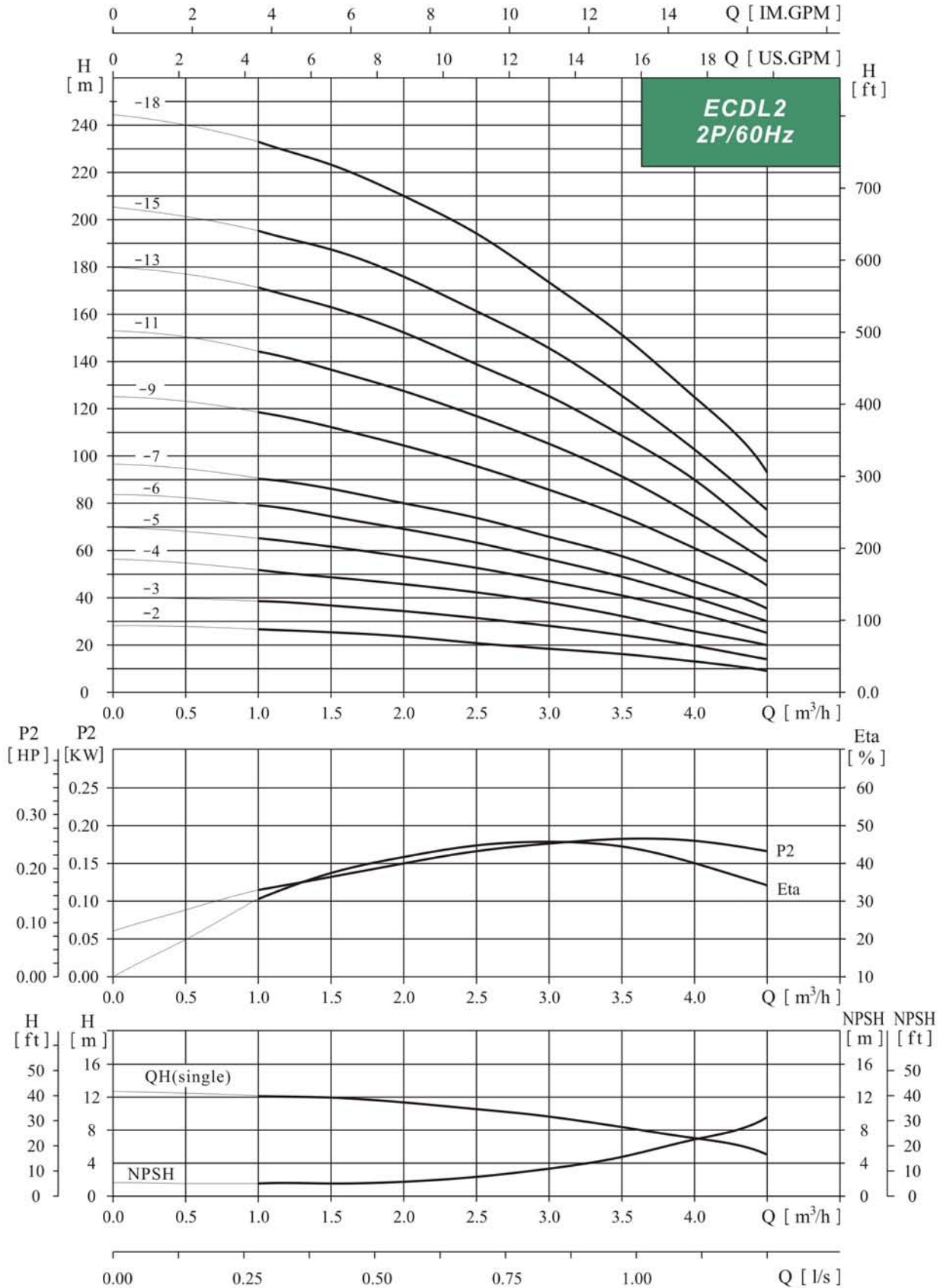
▲ Product Ranges

SCOPE	ECDL2	ECDL4	ECDL10	ECDL15	ECDL20
Rated capacity [m³/h]	2	4	10	15	20
Rated capacity [l/s]	0.56	1.1	2.8	4.1	5.6
Capacity scope [m³/h]	1-4.5	2.5-8	7-15	9-26	12-34
Capacity scope [l/s]	0.28-1.25	0.7-2.2	1.9-4.1	2.5-7.2	3.3-9.4
Max. pressure [bar]	23.5	21	25	24	20
Motor power [kW]	0.55-4	0.75-5.5	1.5-11	1.5-18.5	2.2-18.5
Temp. scope [°C]	-15~+105				
efficiency [%]	46	57	70	73	69
Flange DIN	DN25	DN32	DN40	DN50	DN50
Pipe thread	R ₁ 1 1/4"	R ₁ 1 1/4"	R ₂ 2"	R ₂ 2"	R ₂ 2"
Cutting ferrule joint	DN32	DN32	DN50	DN50	DN50

SCOPE	ECDL32	ECDL45	ECDL64	ECDL90	ECDL120	ECDL150	ECDL200
Rated capacity [m³/h]	32	45	64	90	120	150	200
Rated capacity [l/s]	8.9	12.5	17.8	25	33	41.6	55.6
Capacity scope [m³/h]	20-48	30-65	40-100	60-130	60-160	80-180	100-240
Capacity scope [l/s]	5.5-13.3	8.3-18	11.1-27.7	16.7-36.1	16.7-44.4	22-50	27.8-66.7
Max. pressure [bar]	25	26	18	15	15	14	15
Motor power [kW]	3-30	5.5-45	7.5-45	11-45	18.5-75	15-75	30-110
Temp. scope [°C]	-15~+105						
Efficiency [%]	73	75	76	77	74	73	78
Flange DIN	DN65	DN80	DN100	DN100	DN125	DN125	DN150

ECDL2 Technical Data

▲ Performance Curves

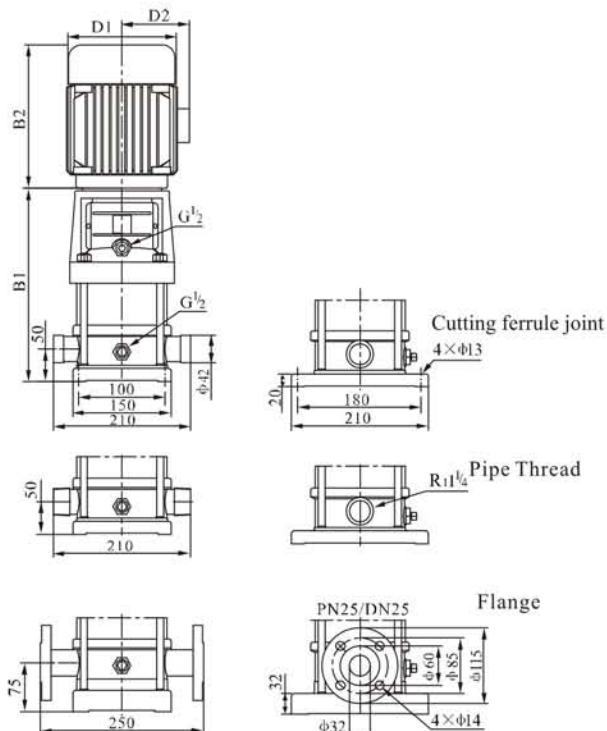


ECDL2 Technical Data

▲ Performance table

Model	Power		Q (m ³ /h)	1.0	1.5	2.0	2.5	3	3.5	4	4.5
	(KW)	(HP)									
ECDL2-2	0.55	0.75	H (m)	26	24	22	21	18	16	12	9
ECDL2-3	0.75	1.0		39	36	33	31	27	24	19	15
ECDL2-4	1.1	1.5		52	48	45	42	36	32	26	20
ECDL2-5	1.1	1.5		65	60	57	52	46	41	32	25
ECDL2-6	1.1	1.5		78	74	69	63	56	49	40	30
ECDL2-7	1.5	2.0		91	86	81	74	66	57	47	35
ECDL2-9	2.2	3.0		117	111	104	95	86	75	61	45
ECDL2-11	2.2	3.0		143	136	128	116	104	90	75	56
ECDL2-13	3.0	4.0		171	163	152	139	126	108	90	66
ECDL2-15	3.0	4.0		195	186	176	160	142	125	103	77
ECDL2-18	4.0	5.5		234	228	212	195	171	151	126	94

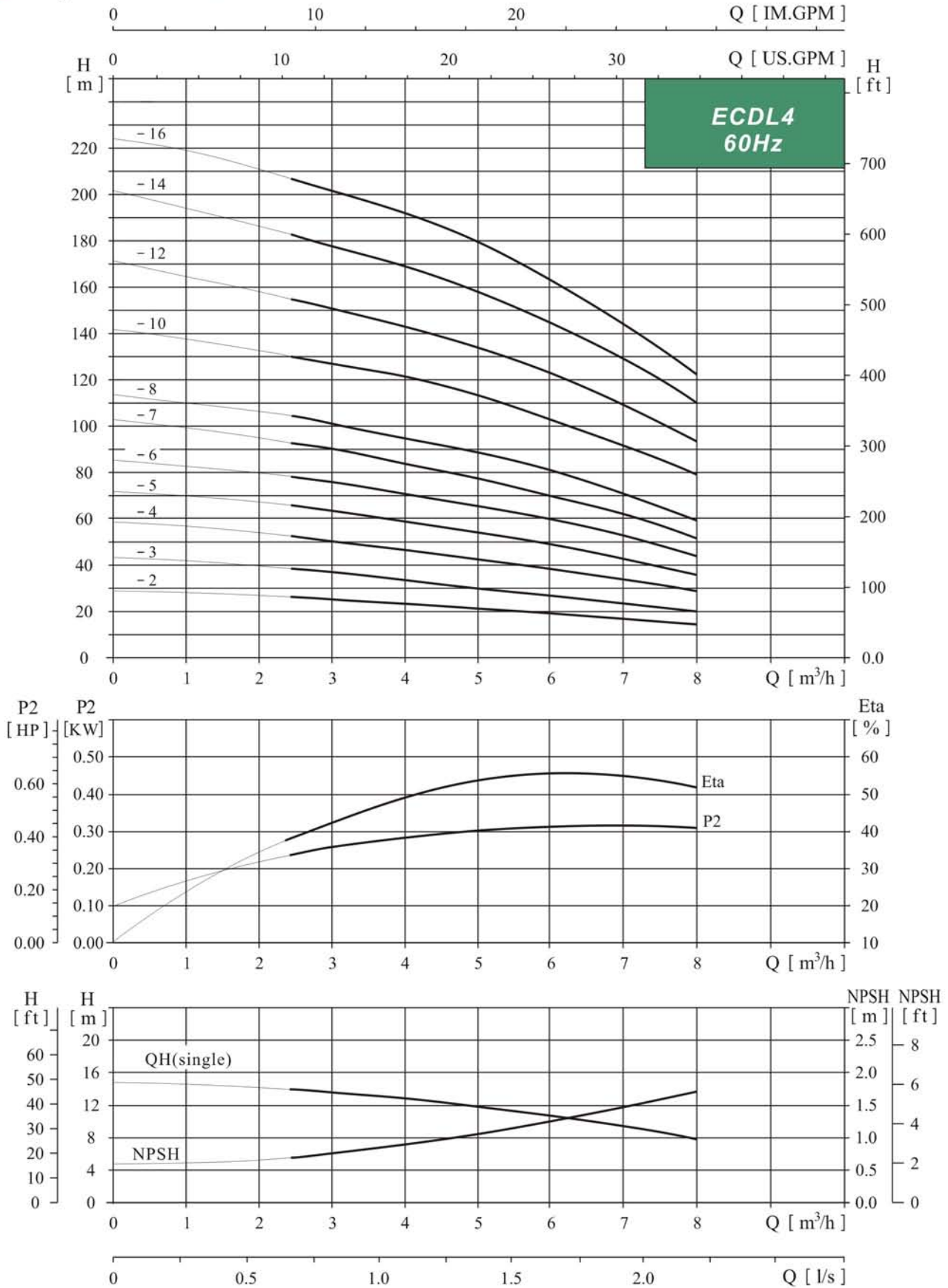
▲ Dimensions & Weights



Model	dimension (mm)					weight (kg)
	B1	B2	B1+B2	D1	D2	
ECDL2-2	258	210	468	148	117	21
ECDL2-3	286	245	531	170	142	24
ECDL2-4	304	245	549	170	142	25
ECDL2-5	322	245	567	170	142	26
ECDL2-6	340	245	585	170	142	26
ECDL2-7	368	290	658	190	155	32
ECDL2-9	404	290	694	190	155	36
ECDL2-11	440	290	730	190	155	37
ECDL2-13	486	315	801	197	165	44
ECDL2-15	522	315	837	197	165	45
ECDL2-18	576	335	911	230	188	54

ECDL4 Technical Data

▲ Performance Curves

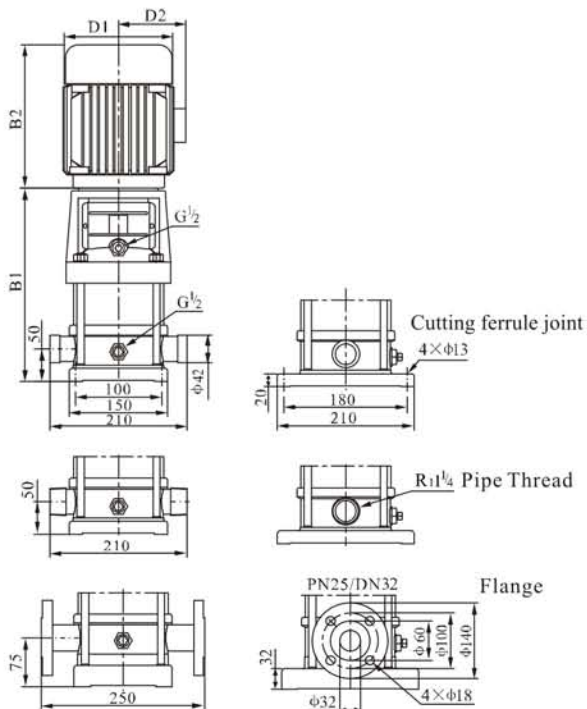


ECDL4 Technical Data

▲ Performance table

Model	Power		Q (m ³ /h)	2.5	3.0	4.0	5.0	6.0	7.0	8.0
	(KW)	(HP)								
ECDL4-2	0.75	1	H (m)	26	25	23	21	19	16	14
ECDL4-3	1.1	1.5		39	38	36	32	28	24	17
ECDL4-4	1.5	2.0		52	50	48	44	38	35	31
ECDL4-5	2.2	3.0		65	62	60	55	49	44	39
ECDL4-6	2.2	3.0		78	75	72	67	59	54	17
ECDL4-7	3.0	4.0		92	88	84	78	69	62	55
ECDL4-8	3.0	4.0		104	100	95	90	79	72	63
ECDL4-10	4.0	5.5		130	125	120	113	102	90	74
ECDL4-12	4.0	5.5		156	150	145	136	122	109	96
ECDL4-14	5.5	7.5		182	176	170	159	145	129	112
ECDL4-16	5.5	7.5		207	201	196	183	165	146	128

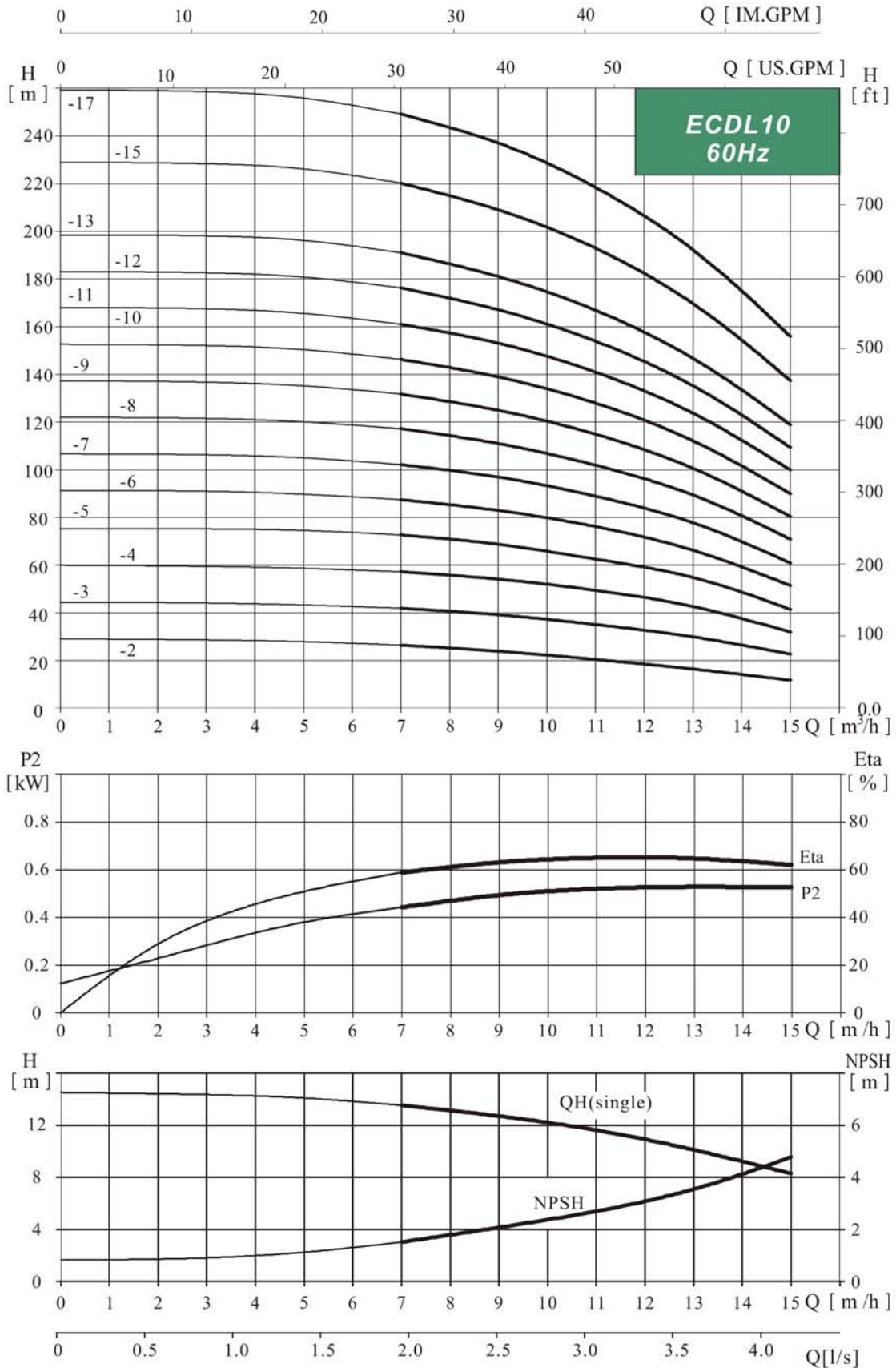
▲ Dimensions & Weights



Model	dimension (mm)					weight (kg)
	B1	B2	B1+B2	D1	D2	
ECDL4-2	286	245	531	170	142	24
ECDL4-3	313	245	558	170	142	25
ECDL4-4	350	290	640	190	155	31
ECDL4-5	376	290	667	190	155	34
ECDL4-6	404	290	694	190	155	35
ECDL4-7	441	315	756	197	165	42
ECDL4-8	468	315	783	197	165	42
ECDL4-10	522	335	857	230	188	51
ECDL4-12	576	335	911	230	188	52
ECDL4-14	650	430	1080	260	208	64
ECDL4-16	704	430	1134	260	208	66

ECDL10 Technical Data

▲ Performance Curves

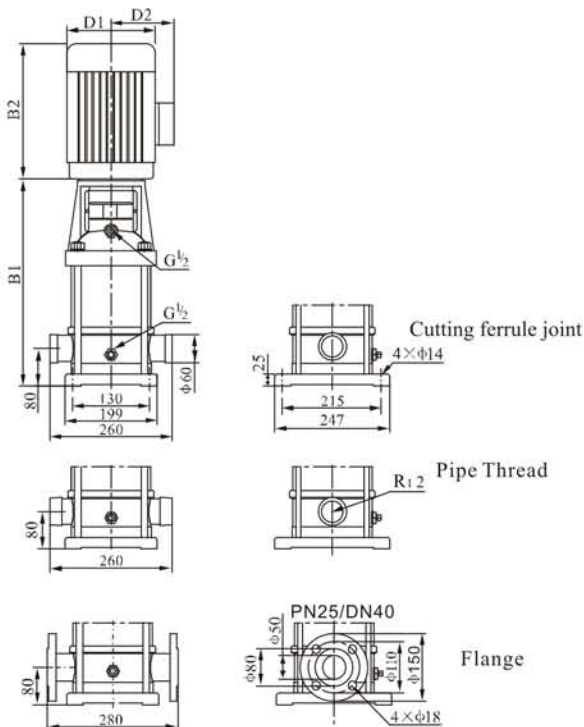


ECDL10 Technical Data

▲ Performance table

Model	Power		Q (m ³ /h)	7.0	9.0	10	11	12	13	15
	(KW)	(HP)								
ECDL10-2	1.5	2.0	H (m)	26.5	24	22	20.5	19	16.5	12
ECDL10-3	2.2	3.0		42	39.5	38	35	33	30	23
ECDL10-4	3.0	4.0		57.5	54	52.5	49.5	46	43	32
ECDL10-5	3.0	4.0		72.5	69	66.5	62.5	59	55	41.5
ECDL10-6	4.0	5.5		87.5	83	80	76	71.5	66.5	51.5
ECDL10-7	5.5	7.5		102.5	97	93.5	89	84	78	61
ECDL10-8	5.5	7.5		117.5	111	107	102	96	89.5	71
ECDL10-9	5.5	7.5		132	125	120.5	115	108	101	80.5
ECDL10-10	7.5	10		146.5	139	134	128	120	112.5	90
ECDL10-11	7.5	10		161.5	153	147.5	141	132	124	100
ECDL10-12	7.5	10		176.5	167	161	154	144	135.5	109.5
ECDL10-13	11	15		191.5	181	175	167	156	147	119
ECDL10-15	11	15		220.5	209	202	193	180	170	137.5
ECDL10-17	11	15		249.5	237	229	218.5	204	192.5	156

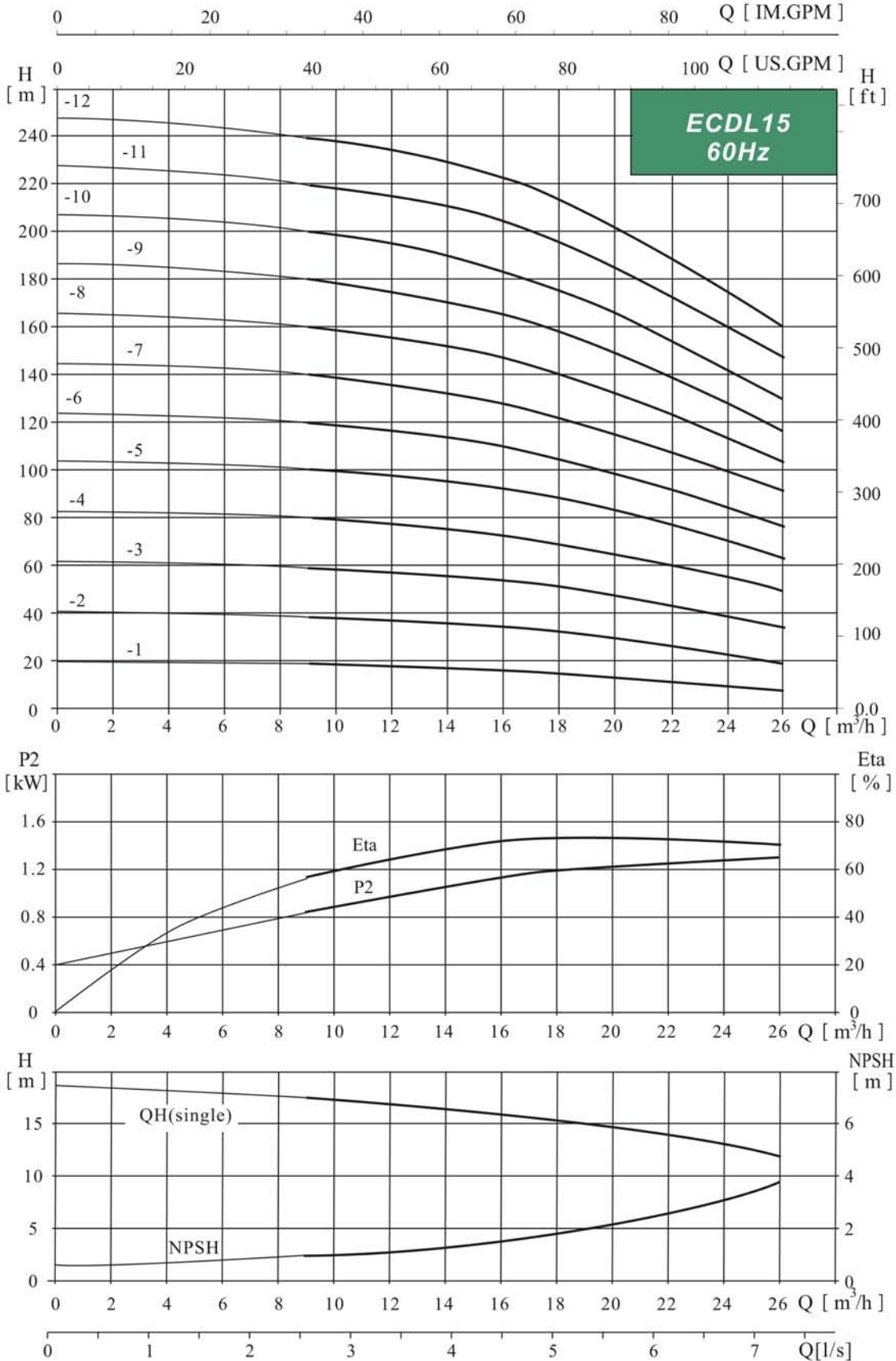
▲ Dimensions & Weights



Model	dimension (mm)					weight (kg)
	B1	B2	B1+B2	D1	D2	
ECDL10-2	357	310	667	190	155	39
ECDL10-3	387	310	697	190	155	42
ECDL10-4	427	350	777	197	165	49
ECDL10-5	457	350	807	197	165	49
ECDL10-6	487	360	847	230	185	59
ECDL10-7	537	400	937	260	210	76
ECDL10-8	567	400	967	260	210	76
ECDL10-9	597	400	997	260	210	77
ECDL10-10	627	400	1027	260	210	87
ECDL10-11	657	400	1057	260	210	87
ECDL10-12	687	400	1087	260	210	88
ECDL10-13	805	510	1315	330	255	142
ECDL10-15	865	510	1375	330	255	143
ECDL10-17	925	510	1435	330	255	144

ECDL15 Technical Data

▲ Performance Curves

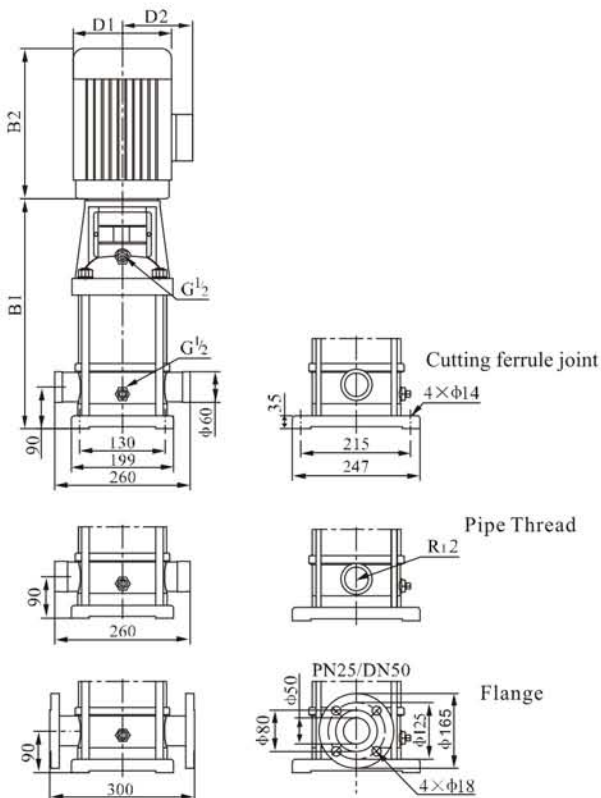


ECDL15 Technical Data

▲ Performance table

Model	Power		Q (m ³ /h)	H (m)								
	(KW)	(HP)		9.0	11	13	15	17	19	21	24	26
ECDL15-1	1.5	2	H (m)	19	18	17	16	15	13	12	10	7
ECDL15-2	3.0	4.0		38	37	36	35	33	30	28	23	20
ECDL15-3	4.0	5.5		58	57	55	54	52	49	45	39	34
ECDL15-4	5.5	7.5		79	77	76	74	72	68	64	57	51
ECDL15-5	7.5	10		99	96	95	93	90	85	80	71	64
ECDL15-6	11	15		119	116	114	112	108	102	97	86	79
ECDL15-7	11	15		139	135	134	130	126	120	114	100	93
ECDL15-8	11	15		159	156	153	149	145	137	130	116	106
ECDL15-9	15	20		179	175	172	168	162	154	146	130	120
ECDL15-10	15	20		199	195	191	187	181	172	163	145	133
ECDL15-11	18.5	25		218	214	210	205	199	190	179	160	147
ECDL15-12	18.5	25		238	234	230	224	217	208	196	175	160

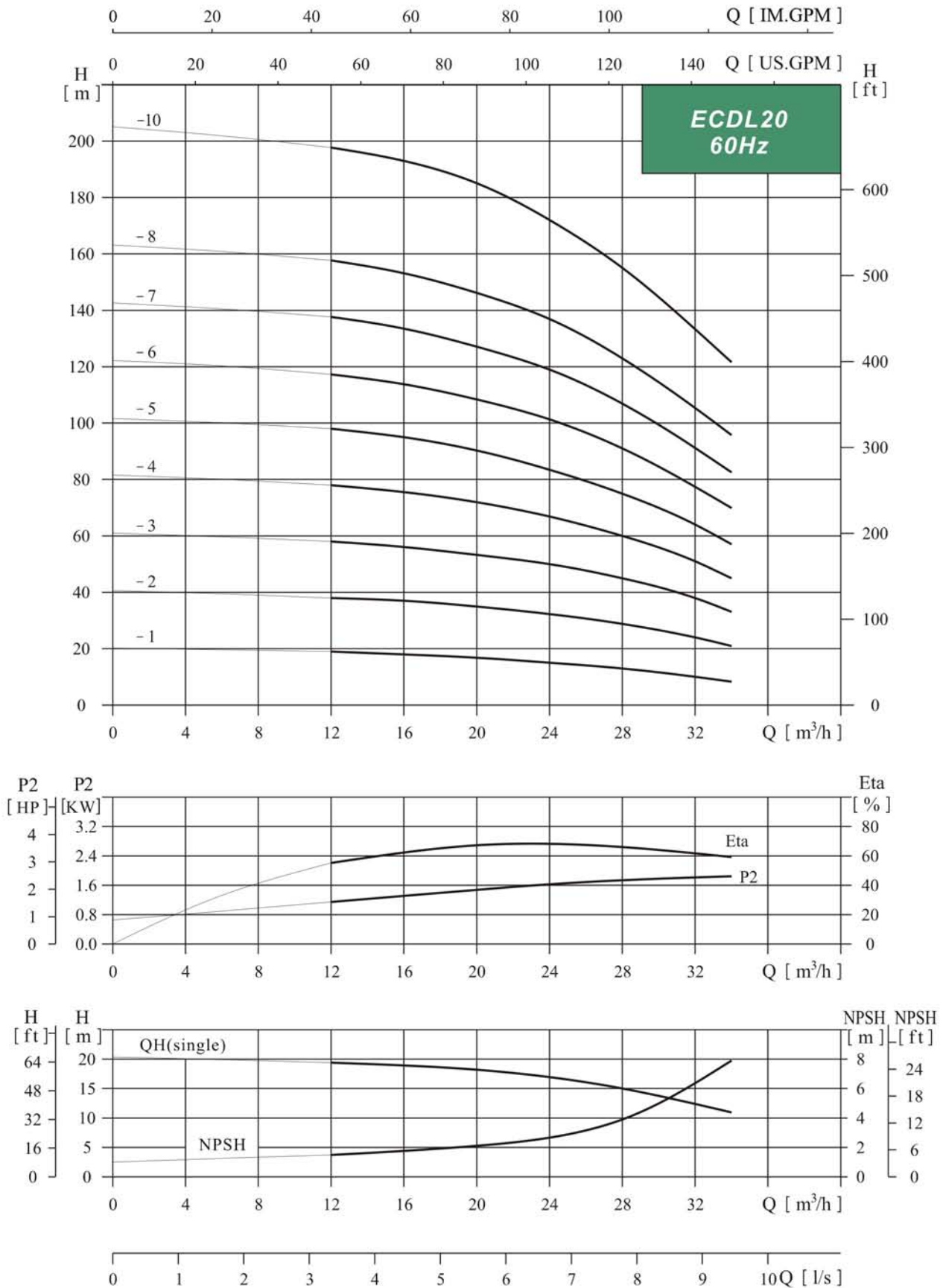
▲ Dimensions & Weights



Model	dimension (mm)					weight (kg)
	B1	B2	B1+B2	D1	D2	
ECDL15-1	397	310	707	190	155	36
ECDL15-2	452	350	802	197	165	48
ECDL15-3	497	360	857	230	185	57
ECDL15-4	562	400	962	260	210	74
ECDL15-5	607	400	1007	260	210	82
ECDL15-6	740	510	1250	330	255	155
ECDL15-7	785	510	1295	330	255	155
ECDL15-8	830	510	1340	330	255	156
ECDL15-9	875	510	1385	330	255	170
ECDL15-10	920	510	1430	330	255	171
ECDL15-11	965	560	1525	330	255	192
ECDL15-12	1010	560	1570	330	255	192

ECDL20 Technical Data

▲ Performance Curves

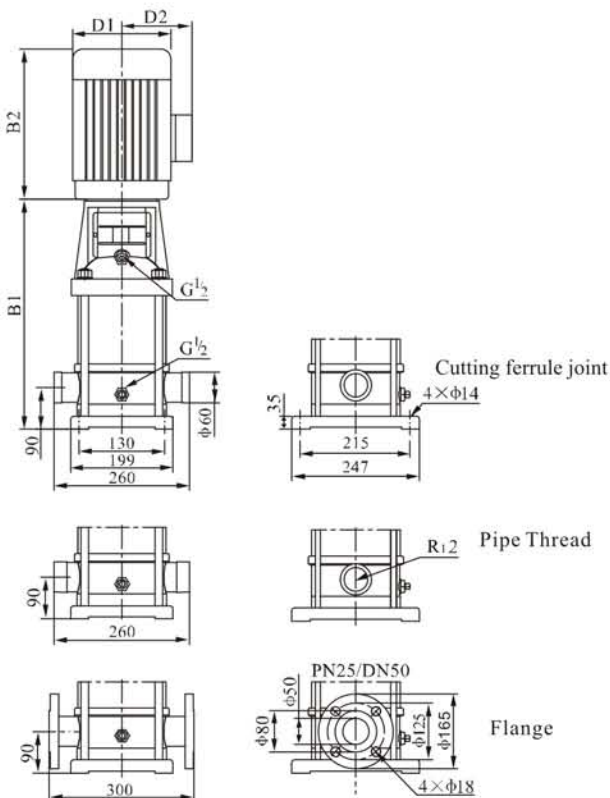


ECDL20 Technical Data

▲ Performance table

Model	Power		Q (m ³ /h)	12	16	20	24	28	32	34
	(KW)	(HP)								
ECDL20-1	2.2	3.0	H (m)	19	18	17	15	13	10	8.5
ECDL20-2	4.0	5.5		38	37	35	32	29	24	21
ECDL20-3	5.5	7.5		58	56	53	50	45	38	33
ECDL20-4	7.5	10		78	75	72	67	60	51	45
ECDL20-5	11	15		98	94	90	85	75	64	57
ECDL20-6	11	15		118	113	108	102	91	77	70
ECDL20-7	15	20		138	133	127	119	107	91	83
ECDL20-8	15	20		158	153	146	137	123	105	96
ECDL20-10	18.5	25		198	193	185	172	155	133	122

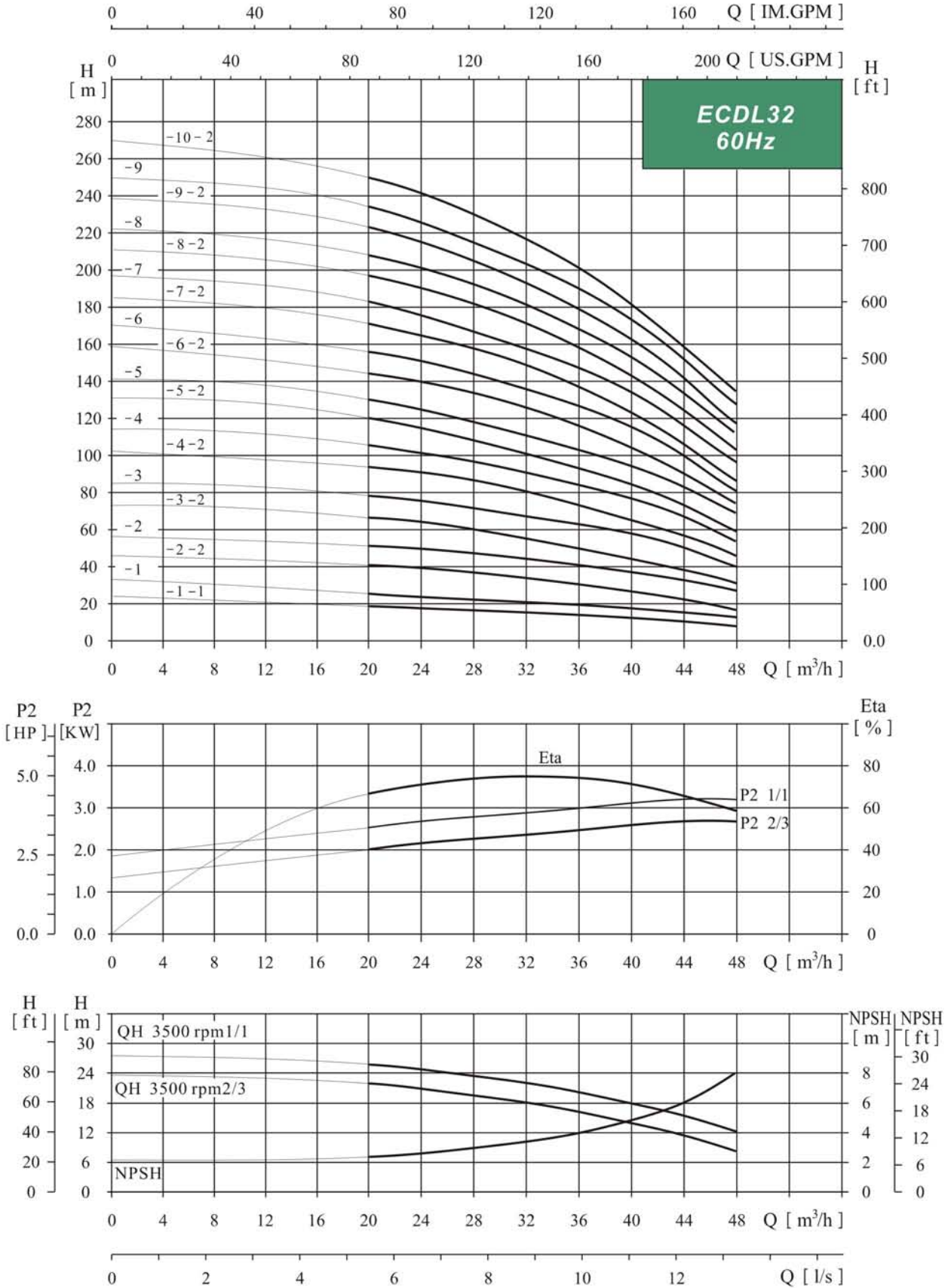
▲ Dimensions & Weights



Model	dimension (mm)					weight (kg)
	B1	B2	B1+B2	D1	D2	
ECDL20-1	352	290	642	190	155	41
ECDL20-2	407	335	742	230	188	56
ECDL20-3	472	430	902	260	208	69
ECDL20-4	517	430	947	260	208	79
ECDL20-5	650	490	1140	330	255	148
ECDL20-6	695	490	1185	330	255	150
ECDL20-7	740	490	1230	330	255	162
ECDL20-8	785	490	1275	330	255	163
ECDL20-10	875	550	1425	330	255	187

ECDL32 Technical Data

▲ Performance Curves

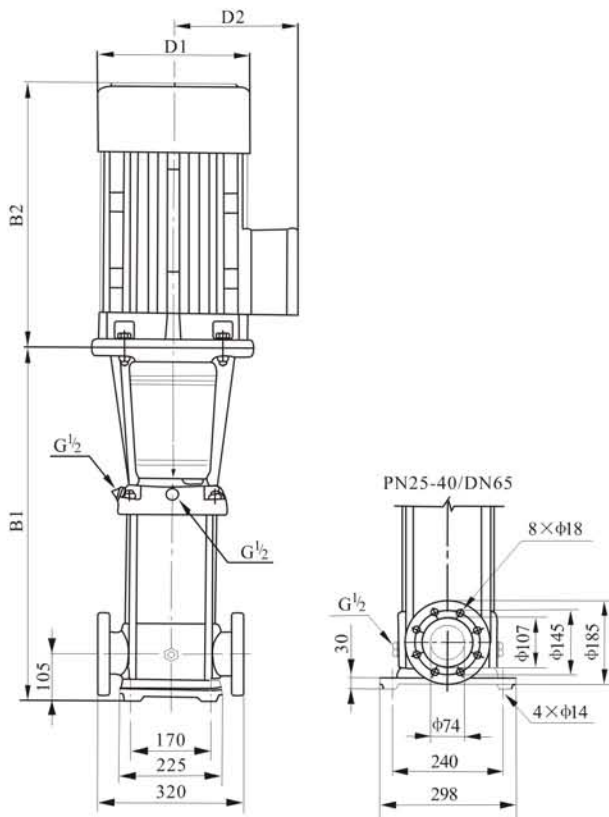


ECDL32 Technical Data

▲ Performance table

Model	Power		Q (m ³ /h)	20	24	28	32	36	40	44	48
	(KW)	(HP)									
ECDL32-1-1	3.0	4.0	H (m)	20	19	18	17	15	13	10	7
ECDL32-1	4.0	5.5		26	25	24	23	21	19	17	14
ECDL32-2-2	5.5	7.5		41	40	38	35	31	27	22	17
ECDL32-2	7.5	10		52	50	48	45	41	37	33	27
ECDL32-3-2	7.5	10		67	64	61	57	52	46	39	31
ECDL32-3	11	15		78	75	71	67	62	56	50	40
ECDL32-4-2	11	15		94	91	87	81	73	65	56	45
ECDL32-4	15	20		104	101	96	91	83	75	66	55
ECDL32-5-2	15	20		119	115	109	102	94	84	73	59
ECDL32-5	18.5	25		130	125	119	112	104	94	83	69
ECDL32-6-2	18.5	25		145	140	134	126	116	104	90	74
ECDL32-6	18.5	25		155	150	144	136	126	114	100	81
ECDL32-7-2	22	30		172	166	158	149	137	123	106	86
ECDL32-7	22	30		182	176	168	159	148	133	118	97
ECDL32-8-2	22	30		196	190	182	172	159	143	124	102
ECDL32-8	30	40		208	201	192	181	167	152	132	111
ECDL32-9-2	30	40		223	216	206	194	179	162	142	117
ECDL32-9	30	40		234	226	216	204	189	172	152	127
ECDL32-10-2	30	40		248	241	231	217	201	181	159	133

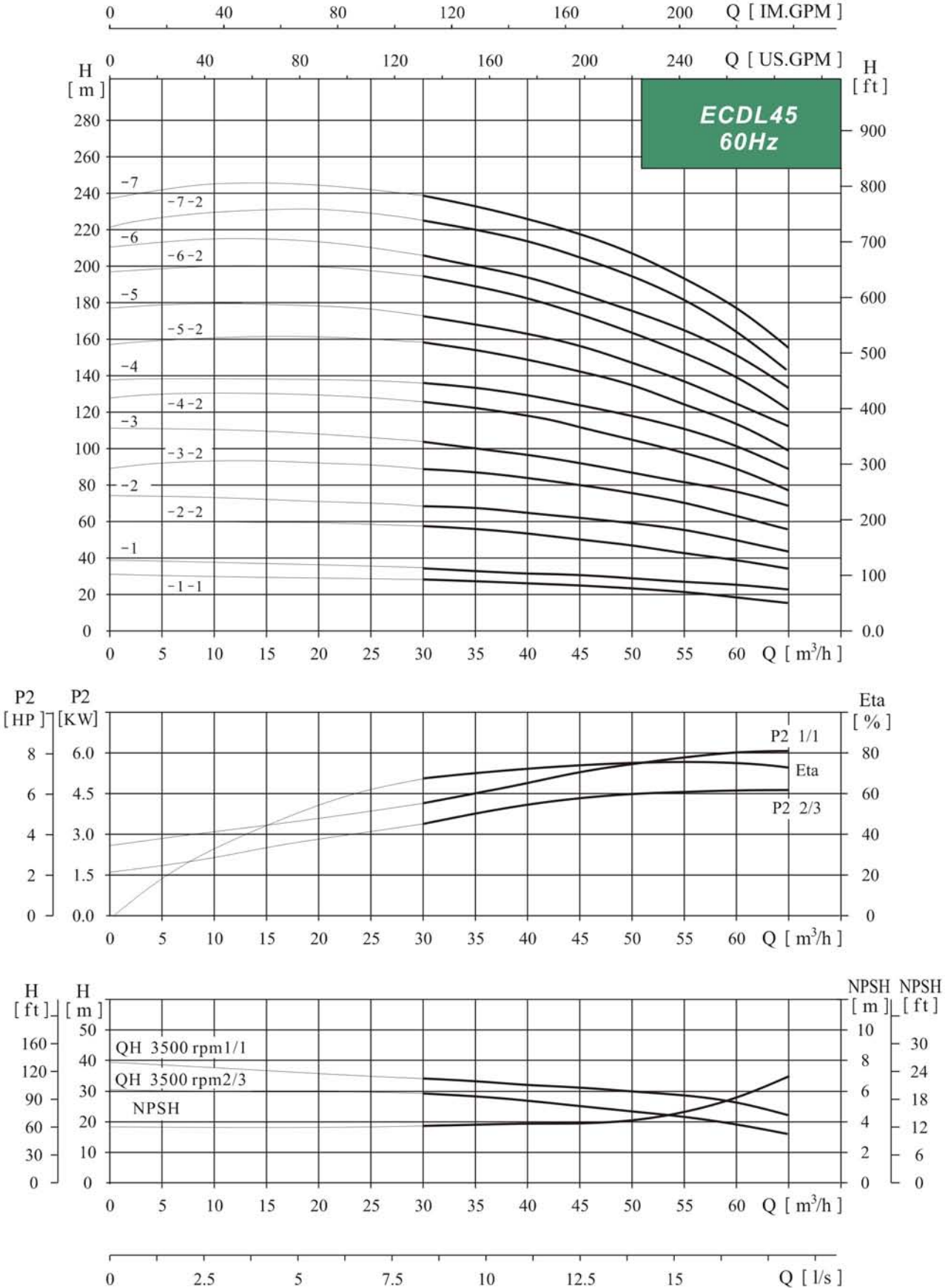
▲ Dimensions & Weights



Model	dimension (mm)					weight (kg)
	B1	B2	B1+B2	D1	D2	
ECDL32-1-1	505	315	820	197	165	73
ECDL32-1	505	335	840	230	188	81
ECDL32-2-2	575	430	1005	260	208	95
ECDL32-2	575	430	1005	260	208	101
ECDL32-3-2	645	490	1135	330	255	104
ECDL32-3	750	490	1240	330	255	172
ECDL32-4-2	820	490	1310	330	255	176
ECDL32-4	820	490	1310	330	255	186
ECDL32-5-2	890	490	1380	330	255	191
ECDL32-5	890	550	1440	330	255	211
ECDL32-6-2	960	550	1510	330	255	216
ECDL32-6	960	550	1510	330	255	216
ECDL32-7-2	1030	590	1620	360	285	255
ECDL32-7	1030	590	1620	360	285	255
ECDL32-8-2	1100	590	1690	400	310	259
ECDL32-8	1100	660	1760	400	310	315
ECDL32-9-2	1170	660	1830	400	310	319
ECDL32-9	1170	660	1830	400	310	319
ECDL32-10-2	1240	660	1900	400	310	324

ECDL45 Technical Data

▲ Performance Curves

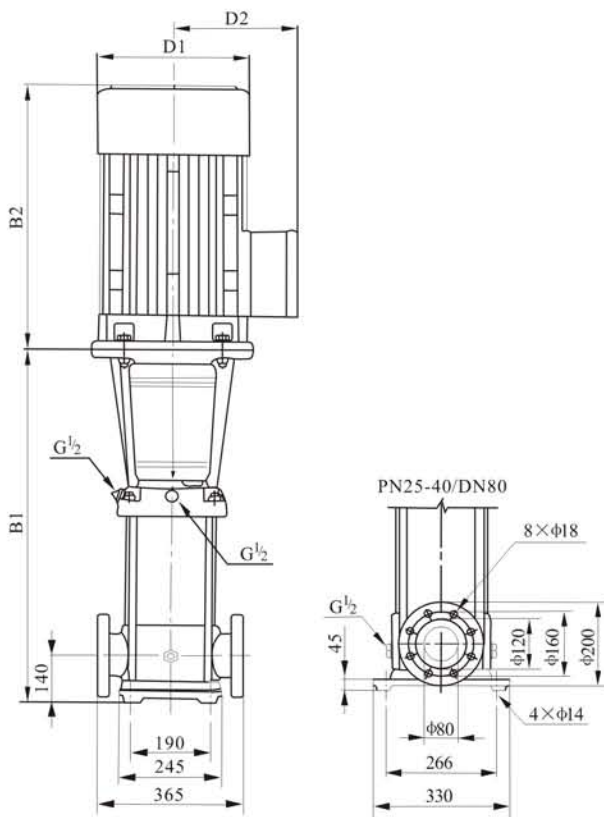


ECDL45 Technical Data

▲ Performance table

Model	Power		Q (m ³ /h)	30	35	40	45	50	55	60	65
	(KW)	(HP)									
ECDL45-1-1	5.5	7.5	H (m)	29	28	27	25	23	21	19	16
ECDL45-1	7.5	10		34	33	32	30	29	27	25	22
ECDL45-2-2	11	15		57	55	53	49	46	43	38	33
ECDL45-2	15	20		69	67	65	61	59	55	50	44
ECDL45-3-2	18.5	25		90	88	85	80	75	72	63	55
ECDL45-3	18.5	25		102	100	97	92	88	82	76	68
ECDL45-4-2	22	30		125	121	118	112	105	98	89	78
ECDL45-4	30	40		136	133	129	123	117	112	102	89
ECDL45-5-2	30	40		159	154	149	142	134	121	115	99
ECDL45-5	30	40		171	166	161	154	145	138	126	112
ECDL45-6-2	37	50		194	188	182	173	163	155	139	122
ECDL45-6	37	50		205	200	193	186	176	166	152	134
ECDL45-7-2	45	60		227	220	213	205	193	182	165	144
ECDL45-7	45	60		239	232	226	216	204	194	178	157

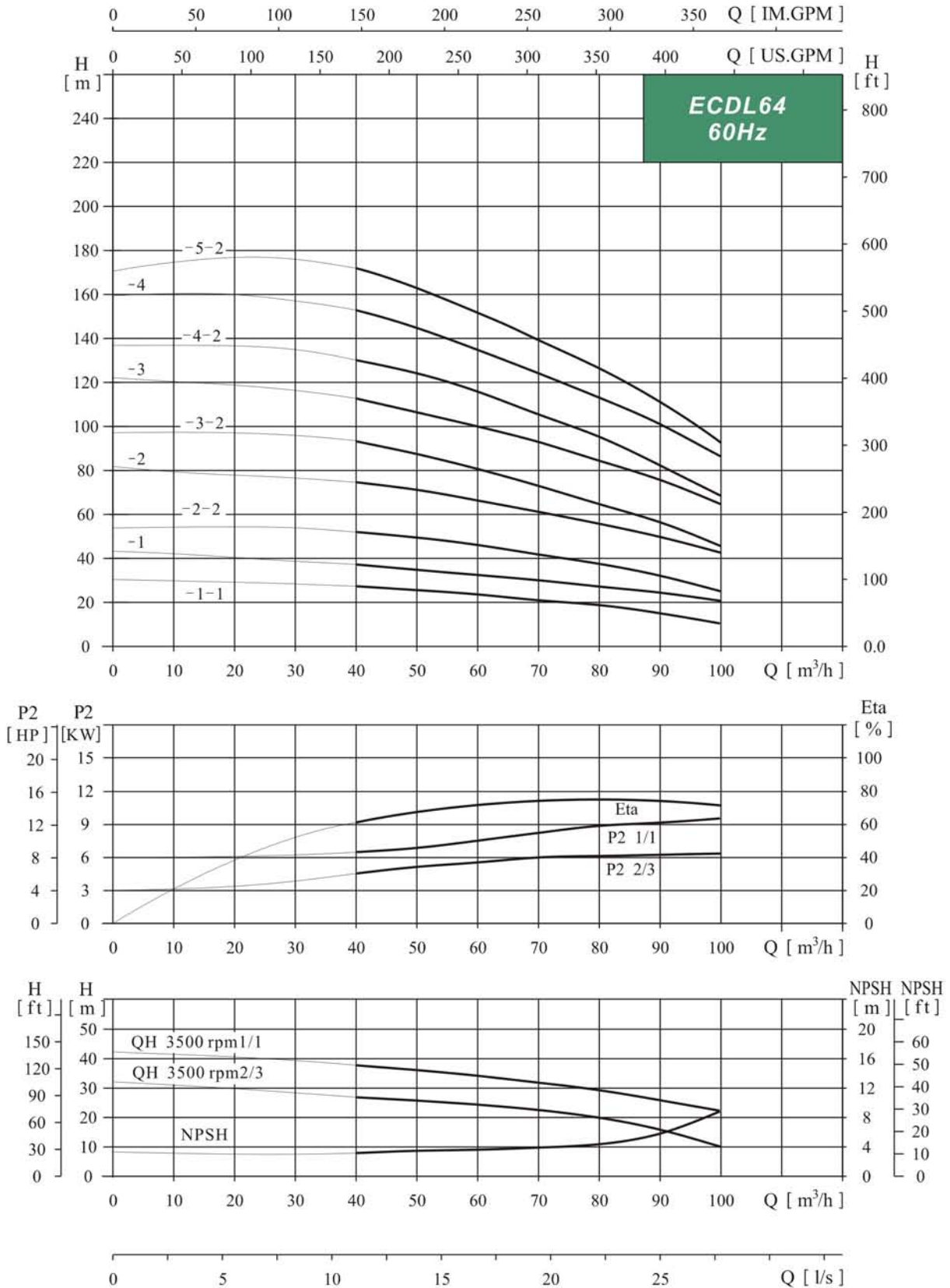
▲ Dimensions & Weights



Model	dimension (mm)					weight (kg)
	B1	B2	B1+B2	D1	D2	
ECDL45-1-1	561	430	992	260	208	101
ECDL45-1	561	430	992	260	208	106
ECDL45-2-2	748	490	1238	330	255	178
ECDL45-2	748	490	1238	330	255	188
ECDL45-3-2	828	550	1378	330	255	213
ECDL45-3	828	550	1378	330	255	213
ECDL45-4-2	908	590	1498	360	285	253
ECDL45-4	908	660	1568	400	310	309
ECDL45-5-2	988	660	1648	400	310	313
ECDL45-5	988	660	1648	400	310	313
ECDL45-6-2	1068	660	1728	400	310	340
ECDL45-6	1068	660	1728	400	310	340
ECDL45-7-2	1148	700	1848	460	340	404
ECDL45-7	1148	700	1848	460	340	404

ECDL64 Technical Data

▲ Performance Curves

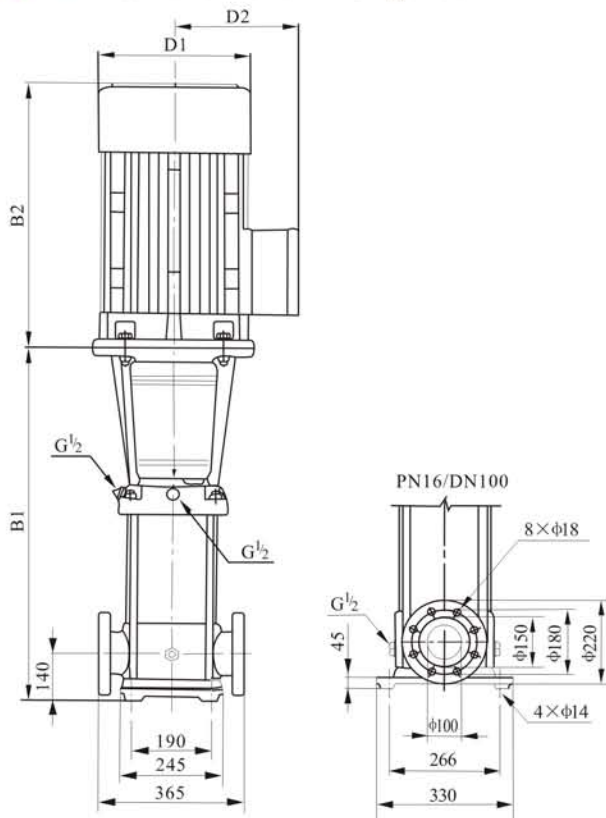


ECDL64 Technical Data

▲ Performance table

Model	Power		Q (m ³ /h)	40	50	60	64	70	80	90	100
	(KW)	(HP)									
ECDL64-1-1	7.5	10	H (m)	26	25	23	22.5	21	18	14	10
ECDL64-1	11	15		37	35	33	32.5	31	28	24	21
ECDL64-2-2	15	20		53	50	47	44.5	42	37	31	23
ECDL64-2	22	30		74	72	67	64.5	62	57	51	42
ECDL64-3-2	22	30		93	88	80	76.5	72	65	56	45
ECDL64-3	30	40		112	108	100	97	93	86	77	65
ECDL64-4-2	37	50		130	124	115	111	103	94	83	66
ECDL64-4	45	60		152	144	135	131	123	114	102	86
ECDL64-5-2	45	60		172	162	151	145	137	126	112	91

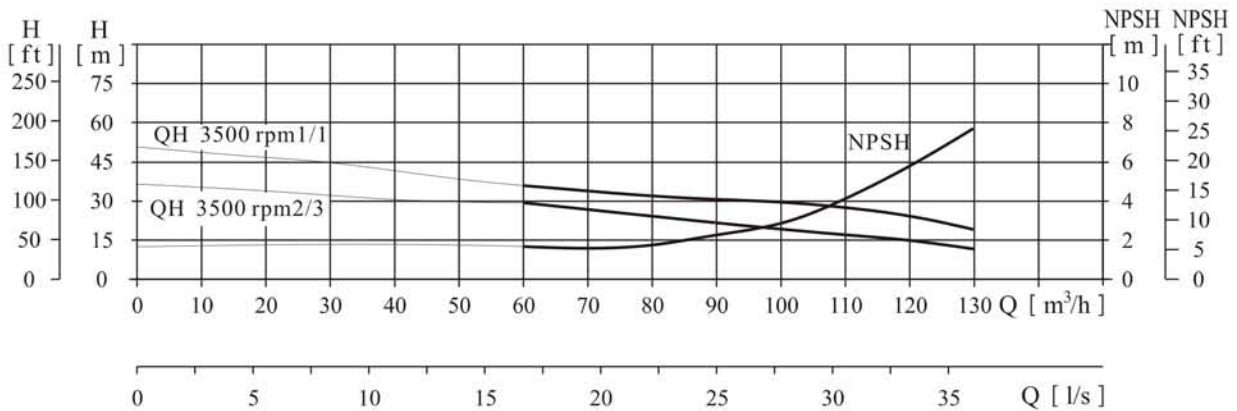
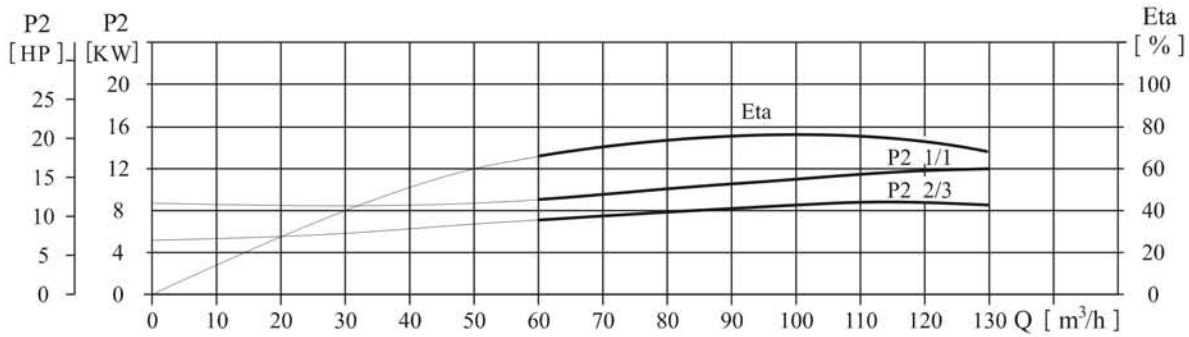
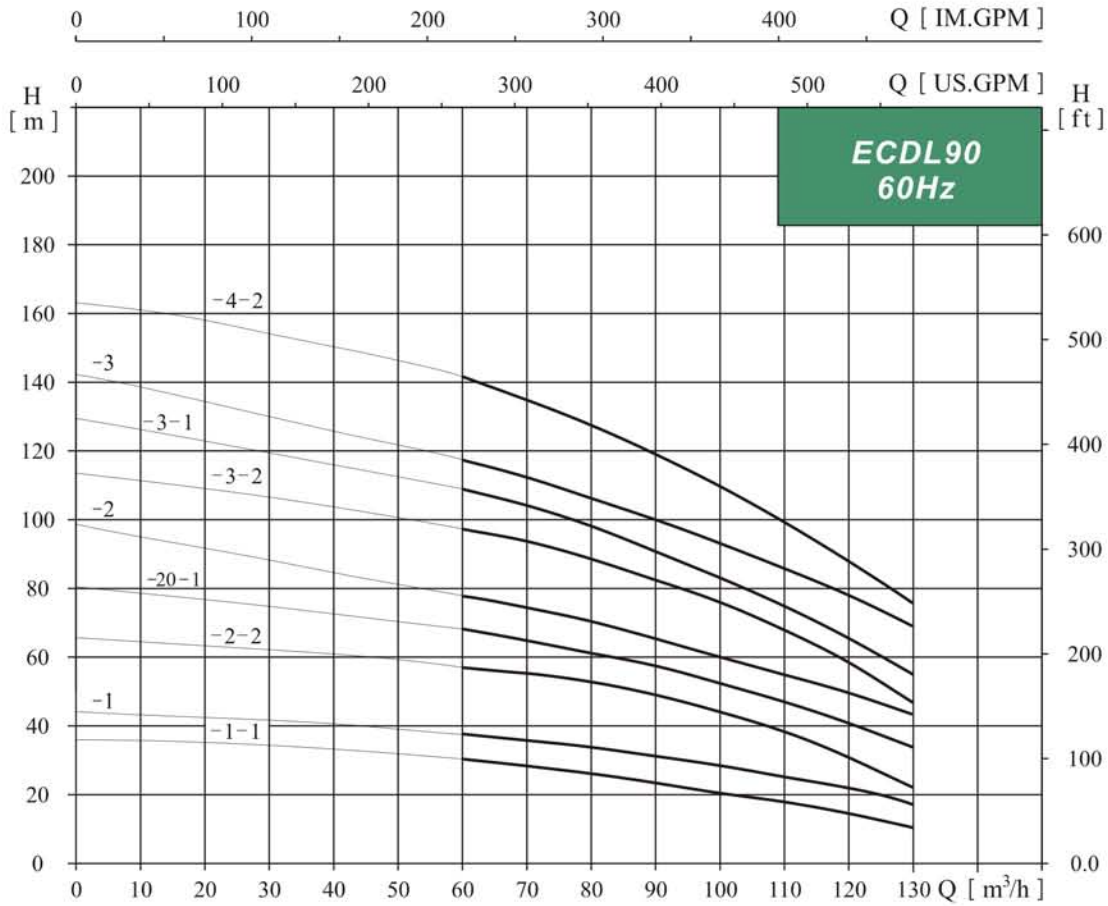
▲ Dimensions & Weights



Model	dimension (mm)					weight (kg)
	B1	B2	B1+B2	D1	D2	
ECDL64-1-1	561	430	991	260	208	109
ECDL64-1	671	490	1161	330	255	177
ECDL64-2-2	754	490	1244	330	255	187
ECDL64-2	754	590	1344	360	285	248
ECDL64-3-2	836	590	1426	360	285	252
ECDL64-3	836	660	1496	400	310	313
ECDL64-4-2	919	660	1579	400	310	336
ECDL64-4	919	700	1619	460	340	398
ECDL64-5-2	1001	700	1701	460	340	402

ECDL90 Technical Data

▲ Performance Curves

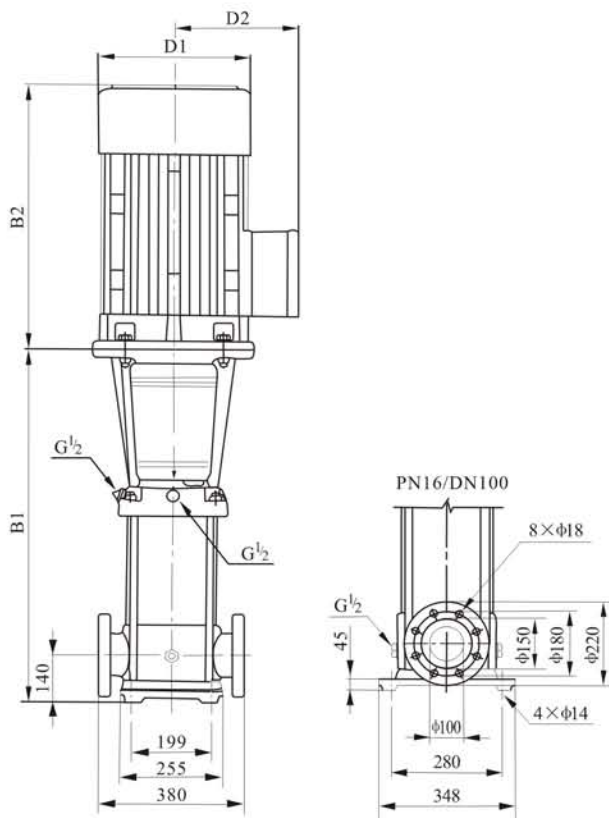


ECDL90 Technical Data

▲ Performance table

Model	Power		Q (m ³ /h)	60	70	80	90	100	110	120	130
	(KW)	(HP)									
ECDL90-1-1	11	15	H (m)	31	27	25	23	21	18	14	9
ECDL90-1	15	20		36	35	33	30	29	26	23	18
ECDL90-2-2	18.5	25		59	57	54	48	44	39	32	22
ECDL90-2-1	22	30		67	65	62	57	51	47	41	33
ECDL90-2	30	40		76	73	69	64	60	56	52	44
ECDL90-3-2	37	50		98	94	88	82	75	69	59	46
ECDL90-3-1	37	50		108	104	98	90	83	78	69	56
ECDL90-3	45	60		116	111	105	97	93	88	79	69
ECDL90-4-2	45	60		141	135	128	118	109	102	89	72

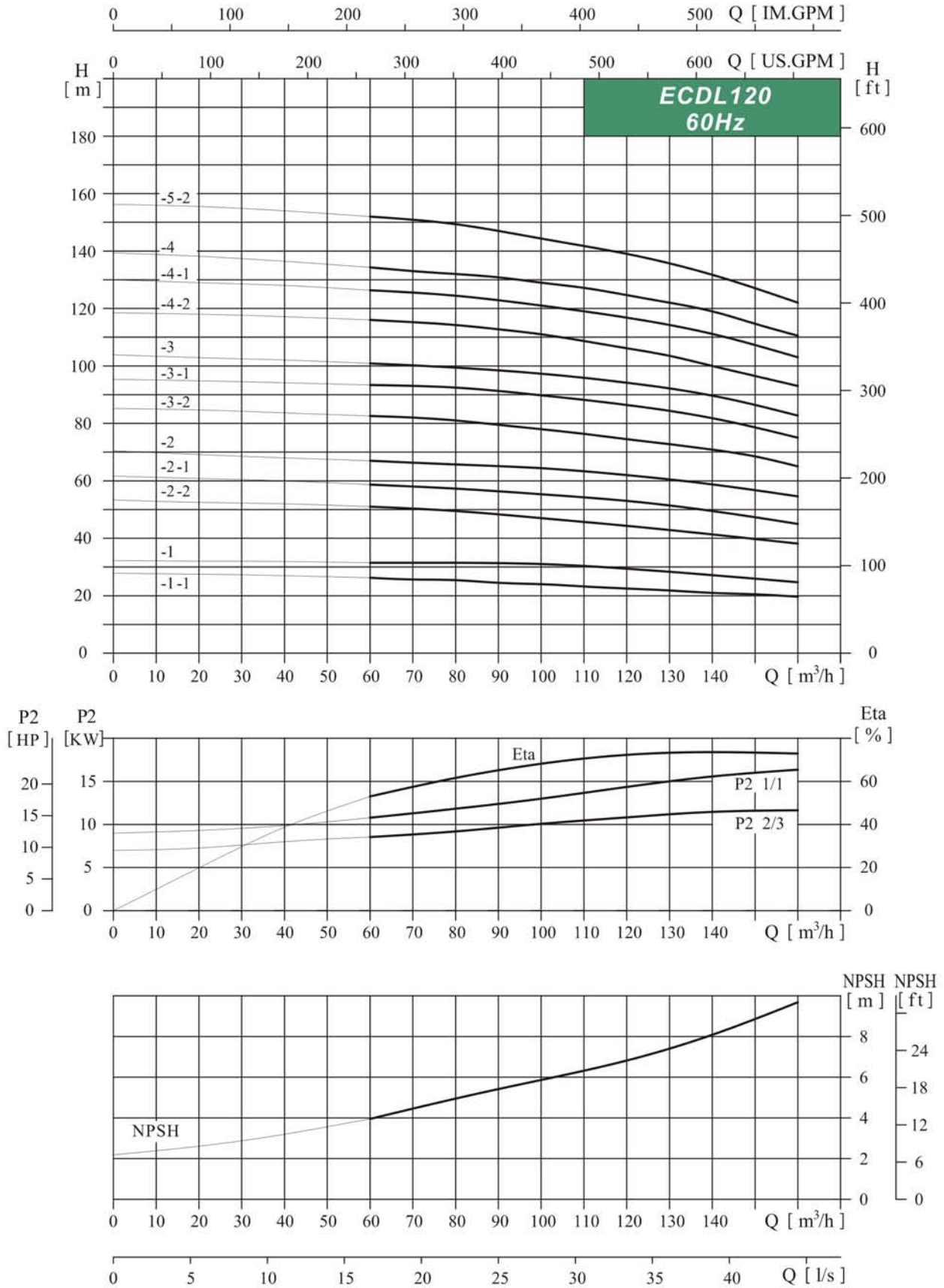
▲ Dimensions & Weights



Model	dimension (mm)					weight (kg)
	B1	B2	B1+B2	D1	D2	
ECDL90-1-1	571	490	1061	330	255	177
ECDL90-1	571	490	1061	330	255	188
ECDL90-2-2	773	550	1323	330	255	211
ECDL90-2-1	773	590	1363	360	285	248
ECDL90-2	773	660	1433	400	310	304
ECDL90-3-2	865	660	1525	400	310	330
ECDL90-3-1	865	660	1525	400	310	330
ECDL90-3	865	700	1565	460	340	392
ECDL90-4-2	957	700	1657	460	340	396

ECDL120 Technical Data

▲ Performance Curves

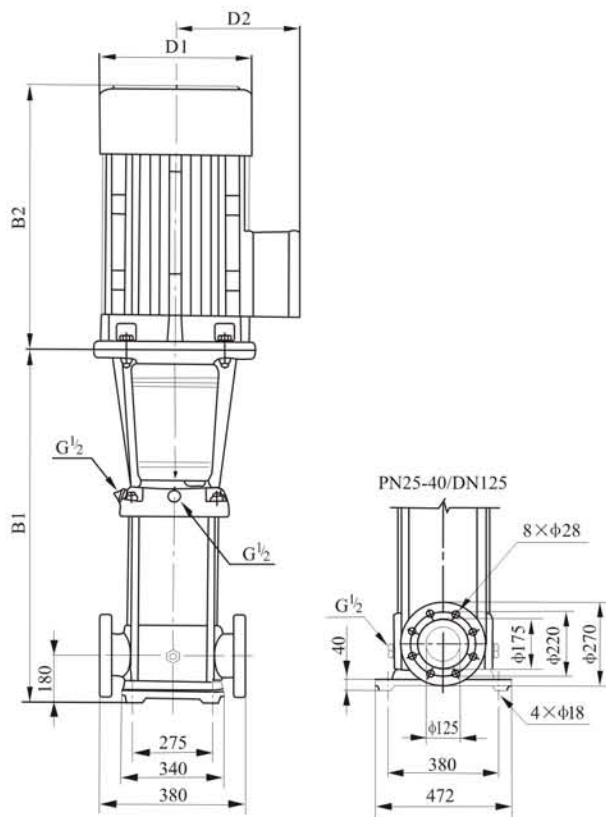


ECDL120 Technical Data

▲ Performance table

Model	Power		Q (m ³ /h)	H (m)										
	(KW)	(HP)		60	70	80	90	100	110	120	130	140	150	160
ECDL120-1-1	15	20	H (m)	26.5	26	25	24.5	23.8	23	22.5	21.5	21.3	21	20
ECDL120-1	18.5	25		30.8	30.7	30.7	30.5	30.3	29.5	28.8	27.6	26.4	25.4	24.4
ECDL120-2-2	30	40		51.5	50.5	49.5	47.5	46	45.5	44.8	43	41	39.7	38.5
ECDL120-2-1	30	40		58.3	58	57.3	56	54.7	54	53	51.5	50	47.4	45
ECDL120-2	37	50		66.3	66	65.7	65	64.4	63	62	60.7	59.6	57	54.6
ECDL120-3-2	45	60		83	82	81	79.5	78	76	74.5	73.5	71	68.5	65
ECDL120-3-1	45	60		91.3	91	90.4	89	87.7	86	84.4	82	80	76.7	73.3
ECDL120-3	55	75		100.3	100	99.4	98.3	97.3	95.5	94	92	90	86.3	82.7
ECDL120-4-2	75	100		116	115.5	114	113	111	109	105.5	104	100	97	93
ECDL120-4-1	75	100		126	125.4	124.6	122.6	120.6	118.5	116.5	114	111.3	107	103
ECDL120-4	75	100		134	133	132	131	129.5	127.5	125	122	119	114.5	109.5
ECDL120-5-2	75	100		152	151	149.7	147	144	141.5	139	135.5	132	127	122

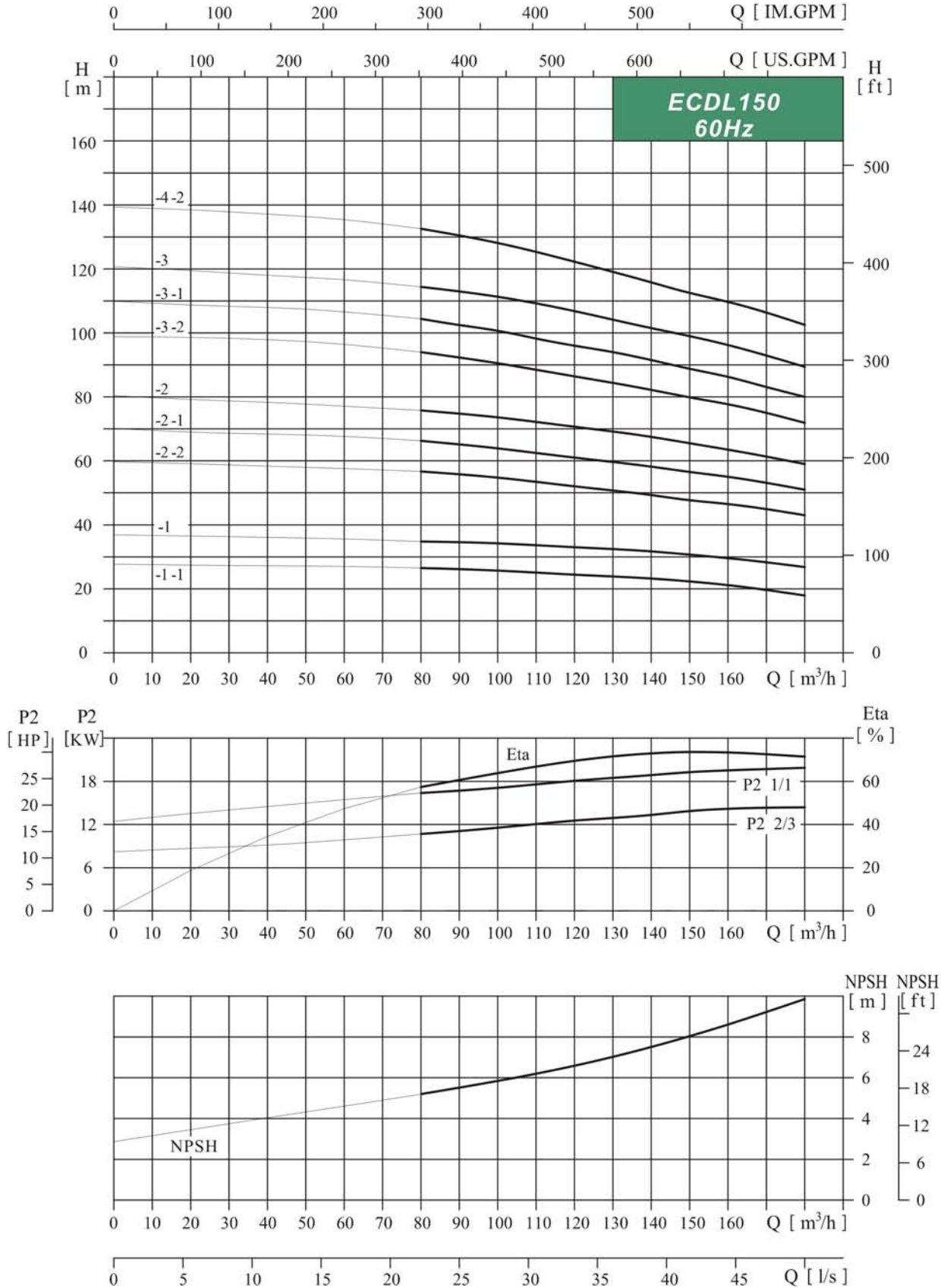
▲ Dimensions & Weights



Model	dimension (mm)					weight (kg)
	B1	B2	B1+B2	D1	D2	
ECDL120-1-1	840	490	1330	330	255	235
ECDL120-1	840	550	1390	330	255	250
ECDL120-2-2	1000	660	1660	400	310	350
ECDL120-2-1	1000	660	1660	400	310	350
ECDL120-2	1000	660	1660	400	310	380
ECDL120-3-2	1160	700	1860	460	340	445
ECDL120-3-1	1160	700	1860	460	340	445
ECDL120-3	1190	770	1960	510	370	545
ECDL120-4-2	1350	845	2195	580	410	675
ECDL120-4-1	1350	845	2195	580	410	675
ECDL120-4	1350	845	2195	580	410	675
ECDL120-5-2	1510	845	2355	580	410	690

ECDL150 Technical Data

▲ Performance Curves

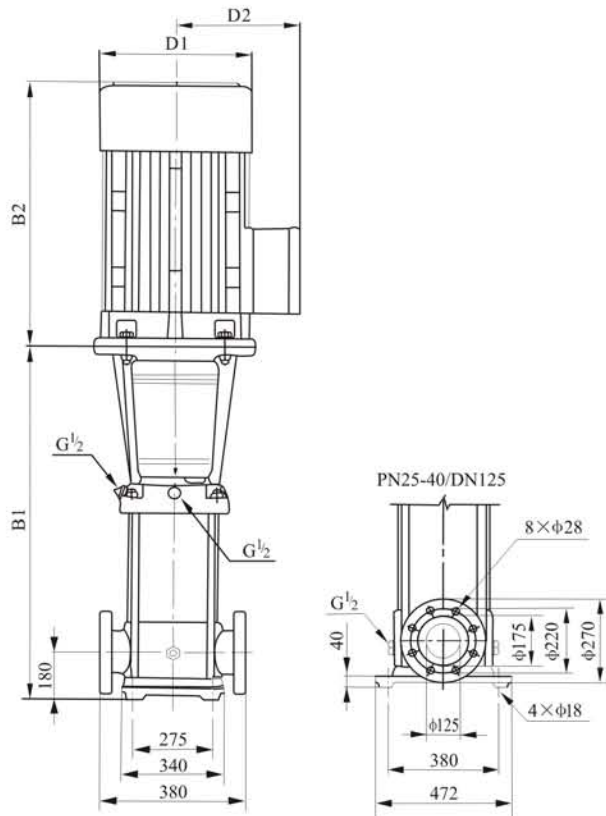


ECDL150 Technical Data

▲ Performance table

Model	Power		Q (m ³ /h)	H (m)										
	(KW)	(HP)		80	90	100	110	120	130	140	150	160	170	180
ECDL150-1-1	15	20	H (m)	26.5	26	25.7	25	24.3	23.8	23.2	22.3	21.2	19.5	18
ECDL150-1	22	30		35	34.5	34	33.6	33	32.3	31.7	30.7	29.6	28	27
ECDL150-2-2	30	40		57	55.5	53	52	51.3	50	49	48	47	45	43
ECDL150-2-1	37	50		67	65	63.5	62	61	60	58.5	56	55	53	51
ECDL150-2	45	60		75.5	74.5	73.6	72	70.4	69	67.5	65.5	63.5	61	59
ECDL150-3-2	55	75		94	92	90.5	88.4	86.4	83.8	81	80	78	75.3	72.5
ECDL150-3-1	75	100		104	102.5	100	98	96	94	92	89	87	84	80
ECDL150-3	75	100		114.4	113	111.3	109	106.5	104	101.5	99	96	93	89.4
ECDL150-4-2	75	100		133	130.3	127.6	124.6	121.7	118.3	115	112.5	110	106.3	102.5

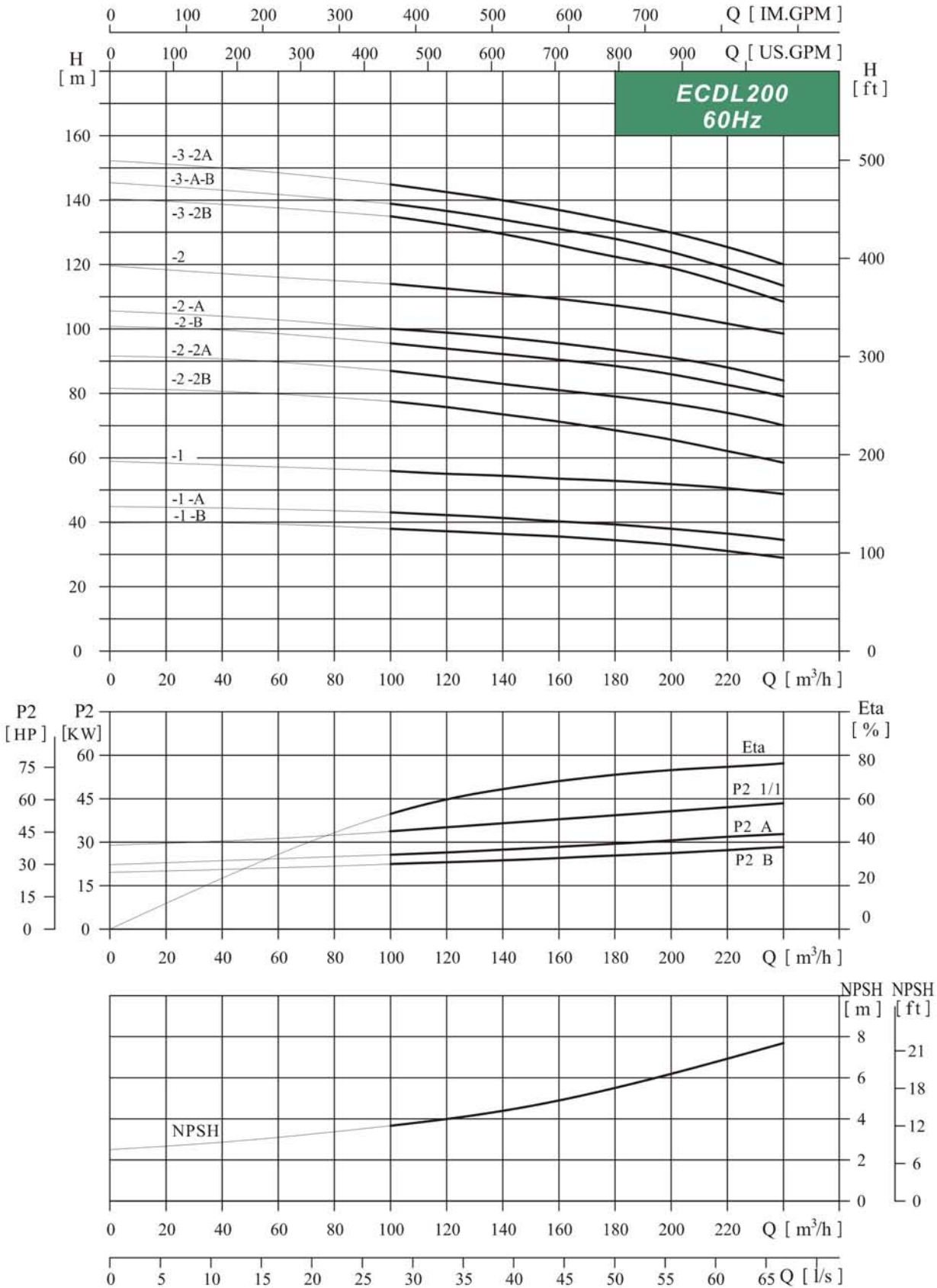
▲ Dimensions & Weights



Model	dimension (mm)					weight (kg)
	B1	B2	B1+B2	D1	D2	
ECDL150-1-1	840	490	1330	330	255	235
ECDL150-1	840	590	1430	360	285	280
ECDL150-2-2	1000	660	1660	400	310	360
ECDL150-2-1	1000	660	1660	400	310	380
ECDL150-2	1000	700	1700	460	340	435
ECDL150-3-2	1190	770	1960	510	370	545
ECDL150-3-1	1190	845	2035	580	410	665
ECDL150-3	1190	845	2035	580	410	665
ECDL150-4-2	1350	845	2195	580	410	680

ECDL200 Technical Data

▲ Performance Curves

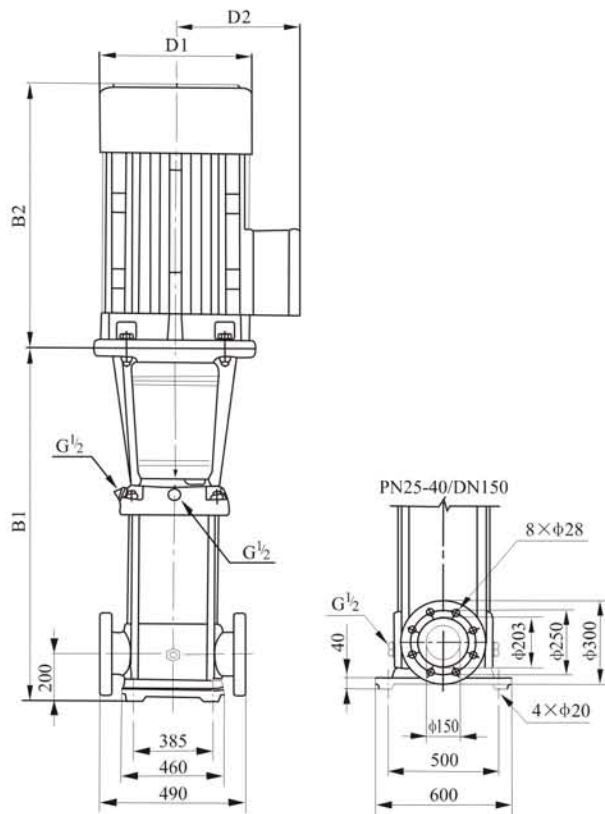


ECDL200 Technical Data

▲ Performance table

Model	Power		Q (m ³ /h)	100	120	140	160	180	200	220	240
	(KW)	(HP)									
ECDL200-1-B	30	40	H (m)	38	37	36.5	35.5	34	33	31	29
ECDL200-1-A	37	50		43	42	41.5	40	39	38	36.5	34.5
ECDL200-1	45	60		56	55	54.5	53.5	53	52	50.5	48.5
ECDL200-2-2B	55	75		77.5	75.5	73.5	71	68.5	66	62	58.5
ECDL200-2-2A	75	100		87	85	83	81	79	77	74	70
ECDL200-2-B	75	100		95.5	93.5	92.5	90.5	88.5	86	82.5	79
ECDL200-2-A	90	120		100	98.5	97.5	95.5	93.5	91	88	84
ECDL200-2	90	120		114	112.5	111	109.5	107.5	105	101.5	98.5
ECDL200-3-2B	110	150		135	132.5	129.5	126	122.5	119	114	108.5
ECDL200-3-A-B	110	150		139	136.5	134	131	128	124	119	113.5
ECDL200-3-2A	110	150		145	142.5	140	137	133.5	130	125.5	120

▲ Dimensions & Weights



Model	dimension (mm)					weight (kg)
	B1	B2	B1+B2	D1	D2	
ECDL200-1-B	907	660	1567	400	310	403
ECDL200-1-A	907	660	1567	400	310	426
ECDL200-1	907	700	1607	450	345	484
ECDL200-2-2B	1131	770	1901	540	370	595
ECDL200-2-2A	1131	845	1976	580	410	718
ECDL200-2-B	1131	845	1976	580	410	718
ECDL200-2-A	1131	895	2026	580	410	787
ECDL200-2	1131	895	2026	580	410	787
ECDL200-3-2B	1325	1140	2465	645	550	1158
ECDL200-3-A-B	1325	1140	2465	645	550	1158
ECDL200-3-2A	1325	1140	2465	645	550	1158