



### ▲ Applications

- ECDL vertical stainless steel multistage centrifugal pumps applied high quality stainless steel material, and the mechanical seal is made of hard alloy. Long service life, light-corrosion resistance and high efficiency. Therefore, it is suitable for various industries. Lesser space requirement, space-saver. It can also be equipped with related protectors to effectively prevent from dry-running, overheat, out-of-phase and overload circumstances.
- **Water supply:** Host water supply pipe and booster of multi-storey building.
- **Industrial pressure boosting:** Air conditioning and cooling systems. Boiler feed and condensation systems. High pressure rinsing systems.
- **Water treatment:** Filters and reverse osmosis systems, distillation systems, separators.
- **Agriculture irrigation:** Large area irrigation, spray irrigation.

### ▲ Operating Conditions

- For clean non-flammable and non-explosive liquid, without solid, filamentary and abrasive matter.
- Ambient temperature: Max. 40°C
- Liquid temperature: Temperature range: 0~70°C  
Hot water range: 70~105°C
- Max. Working pressure: 17~30 bar
- Output range: 0.5HP~60HP(0.37KW~45KW)
- Remarks: If it is used for brewery or petro plants, we strongly recommend to replace standard motor for explosion proof motor.

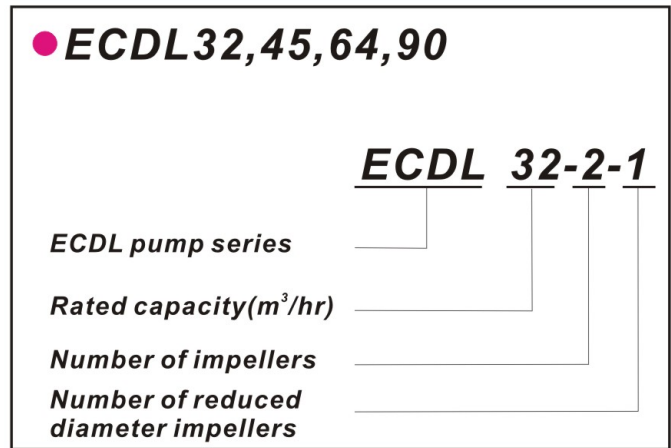
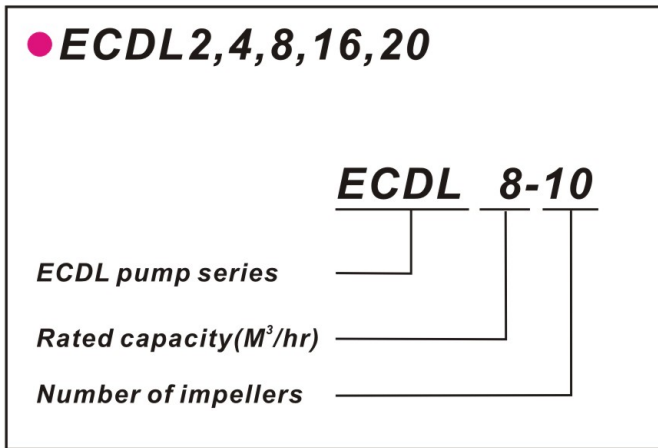
### ▲ Motor Spec.

- Totally enclosed fan cooled 2 pole, IEC standard motor.
- Motor range: 2P ; 50HZ.
- Protection IP54, IP55.
- Insulation class E, B, F.
- Three phase 220V~660V.
- High efficiency electric motor.

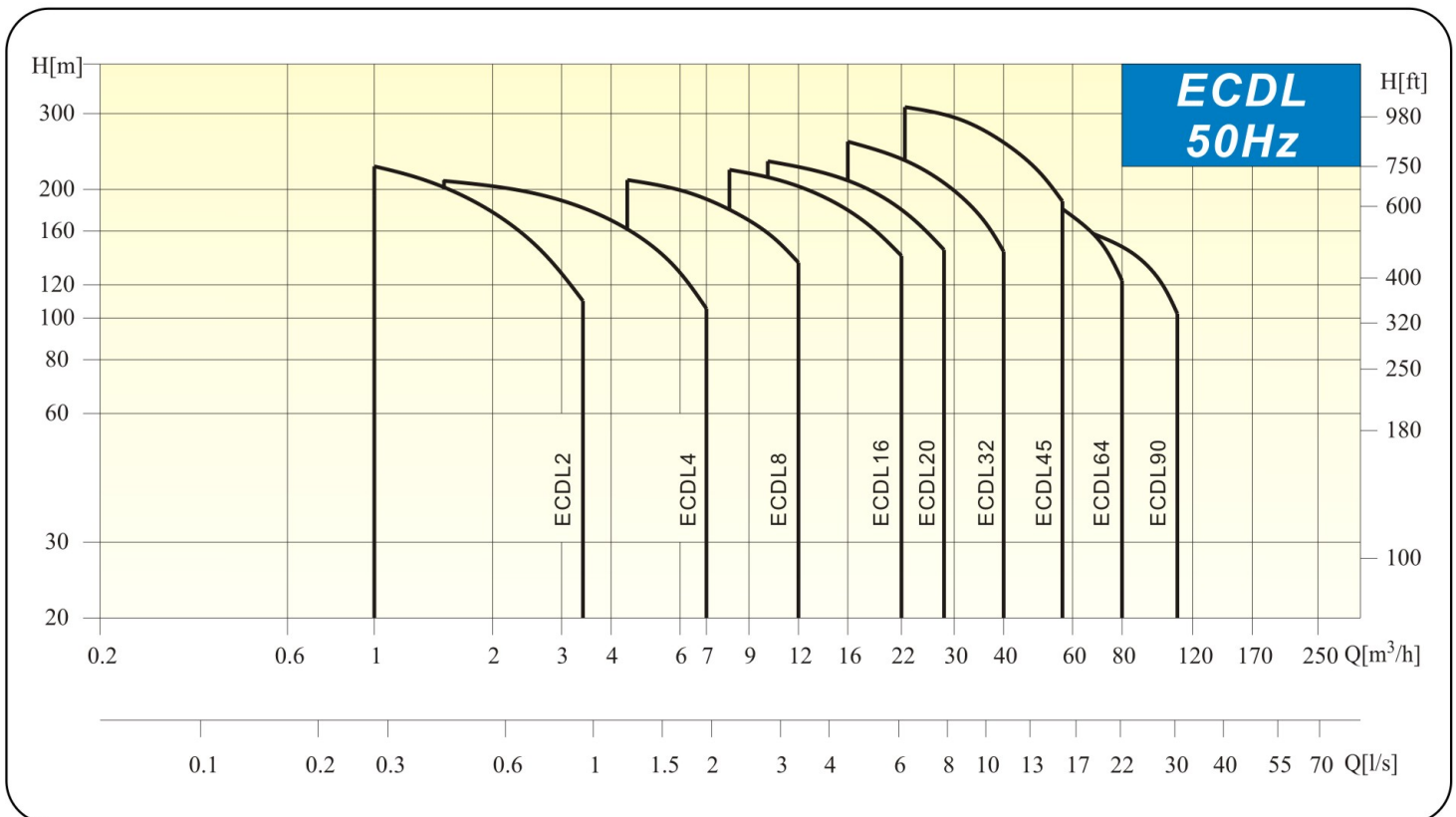


**OPTIONAL**  
ECDL pump with explosion-proof motor

**▲ Model Code**

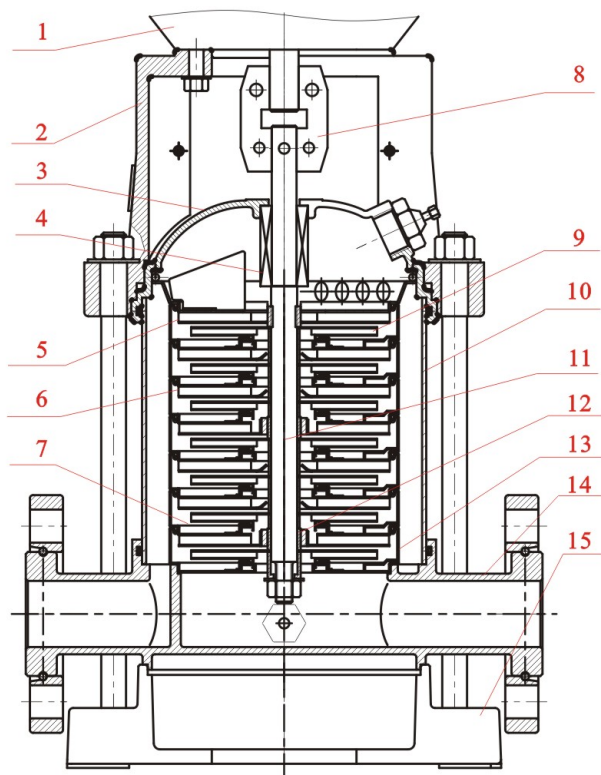


**▲ Performance Ranges**





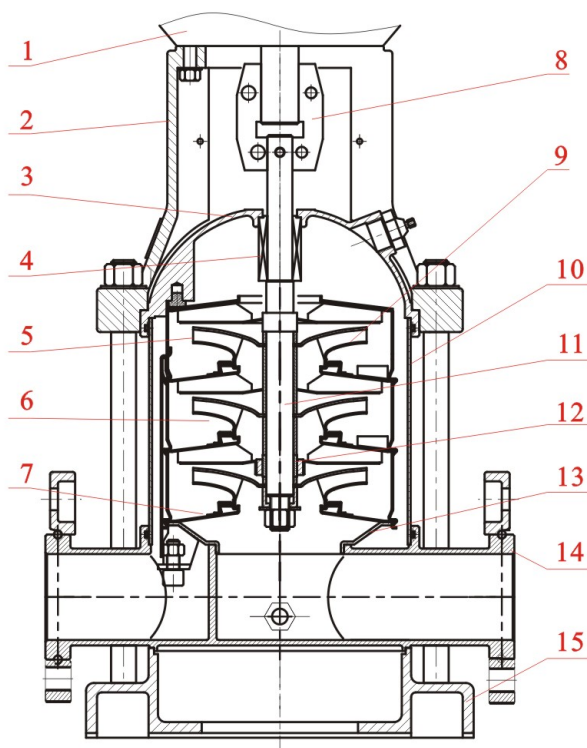
**Sectional View & Materials**



**ECDL2,4**

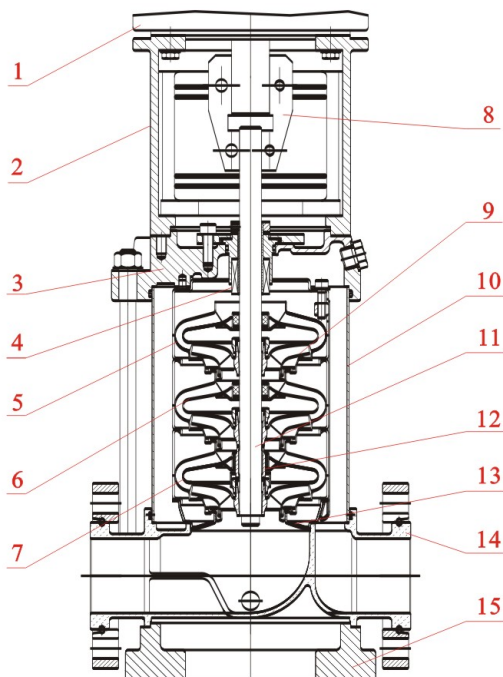
No.	DESCRIPTION	MATERIAL	AISI/ASTM
1	Motor	Assembling unit	
2	Support	Cast iron/ Ductile iron	ASTM25M ASTM70-50-05
3	Seal seat	Stainless steel	AISI 304
4	Mechanical seal	Assembling unit	
5	Outlet guide vane	Stainless steel	AISI 304
6	Guide vane	Stainless steel	AISI304
7	Support guide vane	Stainless steel	AISI304
8	Coupling	Ductile iron	ASTM70-50-05
9	Impeller	Stainless steel	AISI304
10	Shell	Stainless steel	AISI304
11	Pump shaft	Stainless steel	AISI304/ AISI316L
12	Bearing	Tungsten Carbide	
13	Inlet guide vane	Stainless steel	AISI304
14	Inlet & outlet seat	Stainless steel	AISI304
15	Seat	Ductile iron	ASTM25B

**ECDL8,16,20**



No.	DESCRIPTION	MATERIAL	AISI/ASTM
1	Motor	Assembling unit	
2	Support	Cast iron/ Ductile iron	ASTM25M ASTM70-50-05
3	Seal seat	Stainless steel	AISI 304
4	Mechanical seal	Assembling unit	
5	Outlet guide vane	Stainless steel	AISI 304
6	Guide vane	Stainless steel	AISI304
7	Support guide vane	Stainless steel	AISI304
8	Coupling	Ductile iron	ASTM70-50-05
9	Impeller	Stainless steel	AISI304
10	Shell	Stainless steel	AISI304
11	Pump shaft	Stainless steel	AISI304/ AISI316L
12	Bearing	Tungsten Carbide	
13	Inlet guide vane	Stainless steel	AISI304
14	Inlet & outlet seat	Stainless steel	AISI304
15	Seat	Ductile iron	ASTM25B

### ECDL32,45,64,90



No.	DESCRIPTION	MATERIAL	AISI/ASTM
1	Motor	Assembling unit	
2	Support	Cast iron/ Ductile iron	ASTM25M
3	Seal seat	Stainless steel	AISI 304
4	Mechanical seal	Assembling unit	
5	Outlet guide vane	Stainless steel	AISI 304
6	Guide vane	Stainless steel	AISI304
7	Support guide vane	Stainless steel	AISI304
8	Coupling	Ductile iron	ASTM70-50-05
9	Impeller	Stainless steel	AISI304
10	Shell	Stainless steel	AISI304
11	Pump shaft	Stainless steel	AISI304 AISI316L / AISI431
12	Bearing	Tungsten Carbide	
13	Inlet guide vane	Stainless steel	AISI304
14	Inlet & outlet seat	Stainless steel	AISI304
15	Seat	Ductile iron	ASTM25B

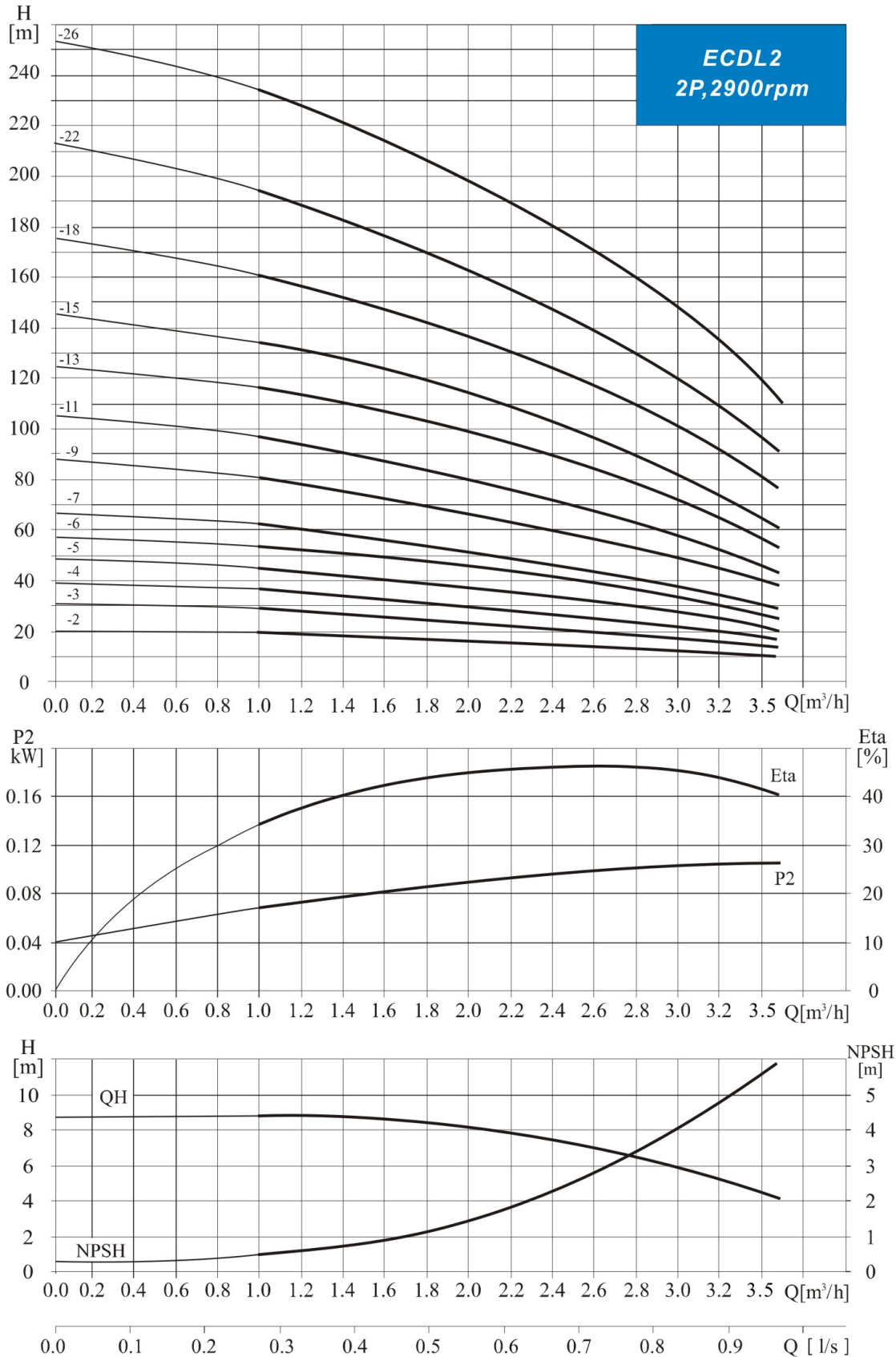
### Product Ranges

SCOPE	ECDL2	ECDL4	ECDL8	ECDL16	ECDL20	ECDL32	ECDL45	ECDL64	ECDL90
Rated Flow M <sup>3</sup> /h	2	4	8	16	20	32	45	64	90
Flow Range M <sup>3</sup> /h	1~3.5	1.5~7	5~12	8~22	10~28	16~40	25~55	30~80	50~110
Max. Efficiency %	46	58	62	66	69	74	75	76	77
Max. Pressure bar	23	21	21	22	23	26	30	22	17
Motor Power KW	0.37~3.0	0.37~4.0	0.75~7.5	2.2~15	1.1~18.5	1.5~30	3~45	4~45	5.5~45
Temp. Range °C	0~105°C								
Flange DIN	DN25	DN32	DN40	DN50	DN50	DN65	DN80	DN100	DN100
Pipe Thread	R <sub>1</sub> 1 <sup>1</sup> / <sub>4</sub> "	R <sub>1</sub> 1 <sup>1</sup> / <sub>4</sub> "	R <sub>1</sub> 2"	R <sub>1</sub> 2"	R <sub>1</sub> 2"	—	—	—	—
Joint Connector	DN32	DN32	DN50	DN50	DN50	—	—	—	—



**ECDL2 Technical Data**

**▲ Performance Curves**

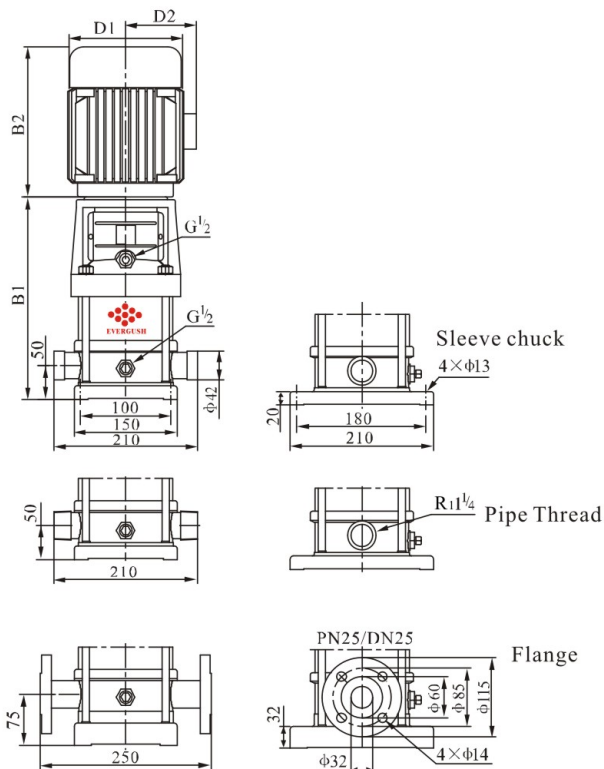


**ECDL2 Technical Data**

**▲ Performance Table**

MODEL	POWER(P2)		Q (M <sup>3</sup> /h)	1	1.2	1.6	2.0	2.4	2.8	3.2	3.5
	KW	HP									
ECDL2-2	0.37	0.5	H (m)	18	17	16	15	13	12	10	8
ECDL2-3	0.37	0.5		27	26	24	22	20	18	15	12
ECDL2-4	0.55	0.75		36	35	33	30	26	24	20	16
ECDL2-5	0.55	0.75		45	43	40	37	33	30	24	20
ECDL2-6	0.75	1		53	52	50	45	40	36	30	24
ECDL2-7	0.75	1		63	61	57	52	47	41	35	28
ECDL2-9	1.1	1.5		80	78	73	67	61	54	45	37
ECDL2-11	1.1	1.5		98	95	89	82	73	64	54	44
ECDL2-13	1.5	2		116	114	106	98	89	78	65	52
ECDL2-15	1.5	2		134	130	123	112	100	90	73	60
ECDL2-18	2.2	3		161	157	148	136	121	108	91	76
ECDL2-22	2.2	3		197	192	180	165	148	130	110	90
ECDL2-26	3.0	4		232	228	214	198	179	158	130	110

**▲ Dimensions & Weight**

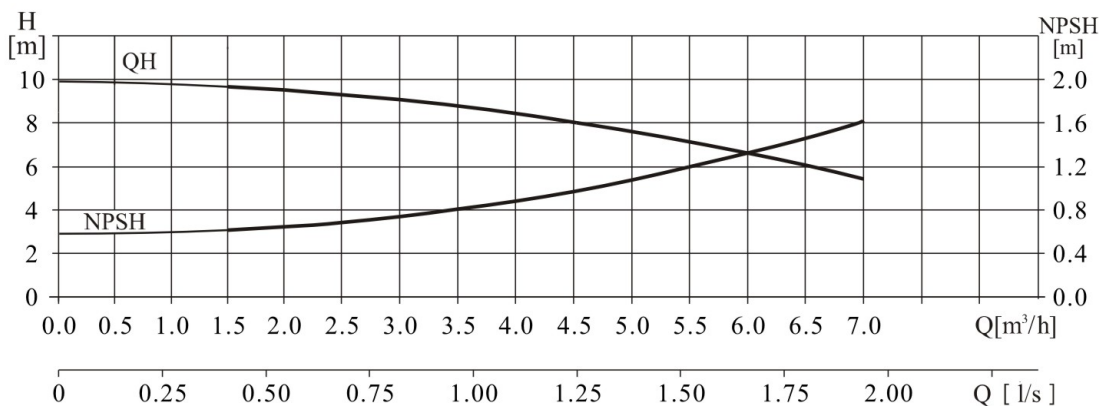
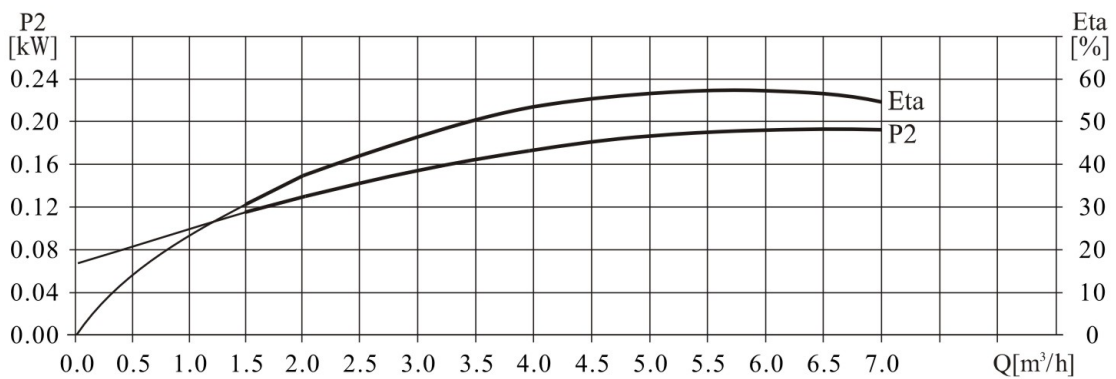
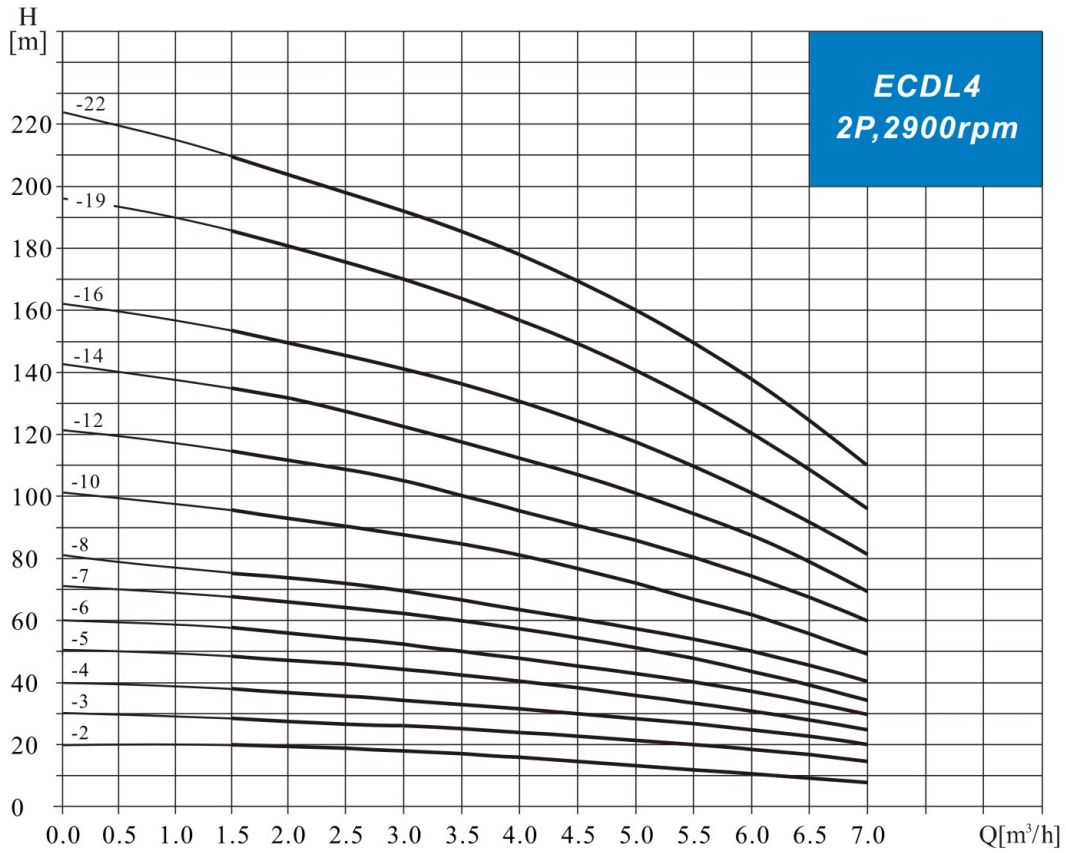


Model	Size (mm)					Weight (kg)
	B1	B2	B1+B2	D1	D2	
ECDL2-2	258	224	482	139	110	20
ECDL2-3	276	224	500	139	110	20
ECDL2-4	294	224	518	139	110	22
ECDL2-5	312	224	536	139	110	23
ECDL2-6	340	265	605	150	110	26
ECDL2-7	358	265	623	150	110	26
ECDL2-9	394	265	659	150	110	28
ECDL2-11	430	265	695	150	110	29
ECDL2-13	476	318	794	172	129	35
ECDL2-15	512	318	830	172	129	36
ECDL2-18	566	318	884	172	129	41
ECDL2-22	638	318	956	172	129	42
ECDL2-26	720	328	1048	190	140	52



**ECDL4 Technical Data**

**▲ Performance Curves**

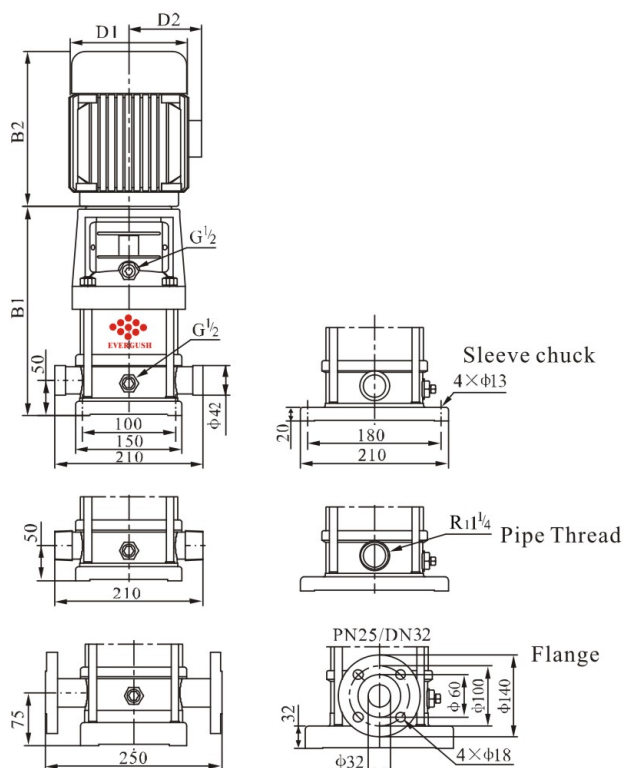


**ECDL4 Technical Data**

**▲ Performance Table**

MODEL	POWER(P2)		Q (M <sup>3</sup> /h)	1.5	2.0	3.0	4.0	5.0	6.0	7.0
	KW	HP								
ECDL4-2	0.37	0.5	H (m)	19	18	17	15	13	10	8
ECDL4-3	0.55	0.75		28	27	26	24	20	18	13
ECDL4-4	0.75	1		38	36	34	32	27	24	19
ECDL4-5	1.1	1.5		47	45	43	40	34	31	23
ECDL4-6	1.1	1.5		56	54	52	48	41	37	28
ECDL4-7	1.5	2.0		66	63	61	56	48	43	33
ECDL4-8	1.5	2.0		74	72	70	64	55	50	38
ECDL4-10	2.2	3.0		96	90	87	81	71	62	48
ECDL4-12	2.2	3.0		114	108	104	95	85	75	58
ECDL4-14	3.0	4.0		136	126	122	112	101	89	68
ECDL4-16	3.0	4.0		152	144	140	129	115	101	78
ECDL4-19	4.0	5.5		183	171	168	153	137	122	93
ECDL4-22	4.0	5.5	211	200	192	178	160	138	108	

**▲ Dimensions & Weight**

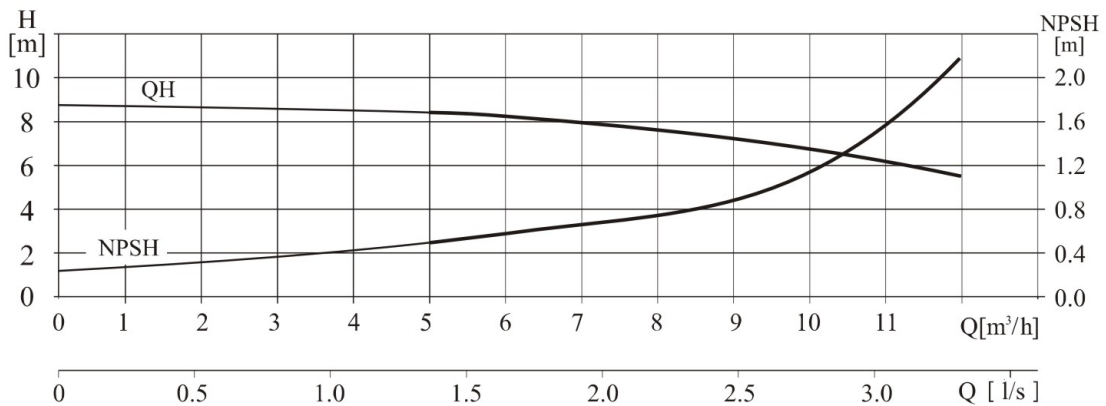
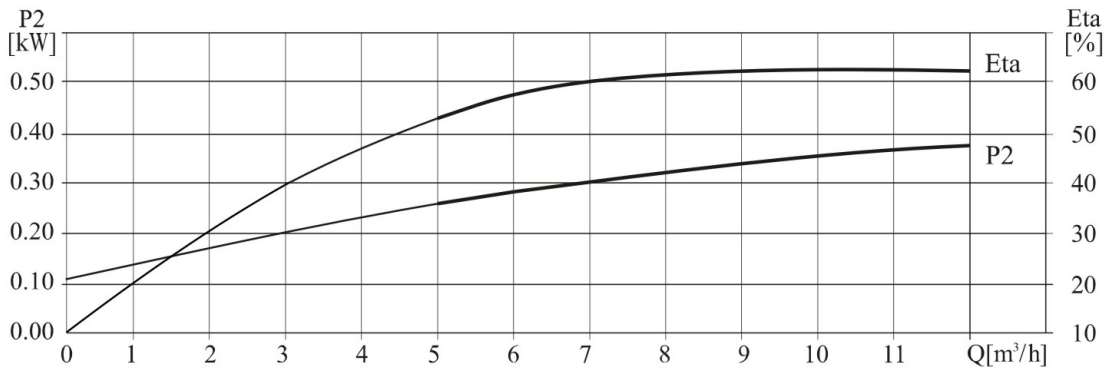
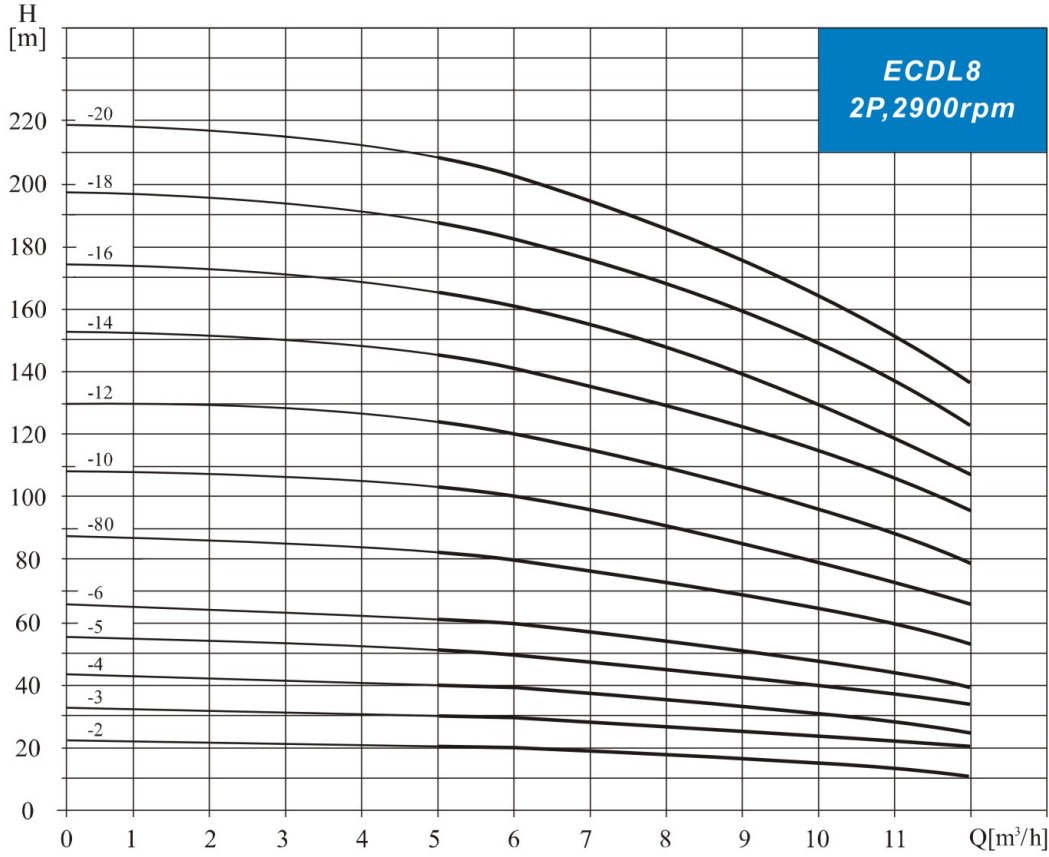


Model	Size (mm)					Weight (kg)
	B1	B2	B1+B2	D1	D2	
ECDL4-2	276	224	500	139	110	21
ECDL4-3	303	224	527	139	110	22
ECDL4-4	340	265	605	150	110	25
ECDL4-5	367	265	632	150	110	27
ECDL4-6	394	265	659	150	110	27
ECDL4-7	431	318	749	172	129	33
ECDL4-8	458	318	776	172	129	33
ECDL4-10	512	318	830	172	129	37
ECDL4-12	566	318	884	172	129	38
ECDL4-14	630	328	958	190	140	46
ECDL4-16	684	328	1012	190	140	48
ECDL4-19	765	362	1127	218	156	57
ECDL4-22	846	362	1208	218	156	59



**ECDL8 Technical Data**

**▲ Performance Curves**

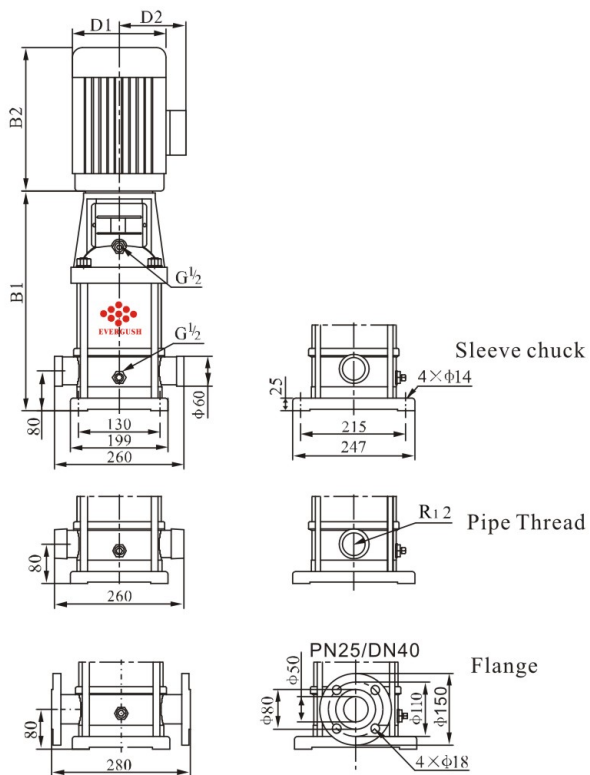


**ECDL8 Technical Data**

**▲ Performance Table**

MODEL	POWER(P2)		Q (M <sup>3</sup> /h)	5	6	7	8	9	10	11	12
	KW	HP									
ECDL8-2	0.75	1.0	H (m)	20	19.5	19	18	17	16	14	13
ECDL8-3	1.1	1.5		30	29.5	28.5	27	25	24	21	19
ECDL8-4	1.5	2.0		41	39.5	38	36	34	32	28	26
ECDL8-5	2.2	3.0		52	50	48	45	42	40	36	32
ECDL8-6	2.2	3.0		62	60	57	54	51	48	43	39
ECDL8-8	3.0	4.0		83	80	77	73	69	65	58	52
ECDL8-10	4.0	5.5		104	100	97	92	87	81	73	65
ECDL8-12	4.0	5.5		124	120	116	111	104	92	87	78
ECDL8-14	5.5	7.5		145	141	136	130	122	113	102	92
ECDL8-16	5.5	7.5		166	161	156	148	139	130	118	106
ECDL8-18	7.5	10		187	182	175	167	157	146	134	120
ECDL8-20	7.5	10		208	202	195	186	175	163	150	135

**▲ Dimensions & Weight**

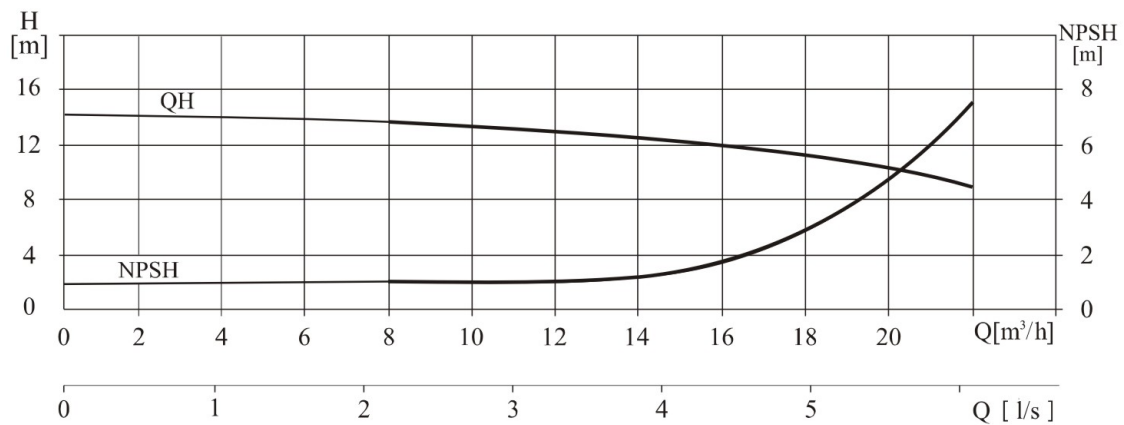
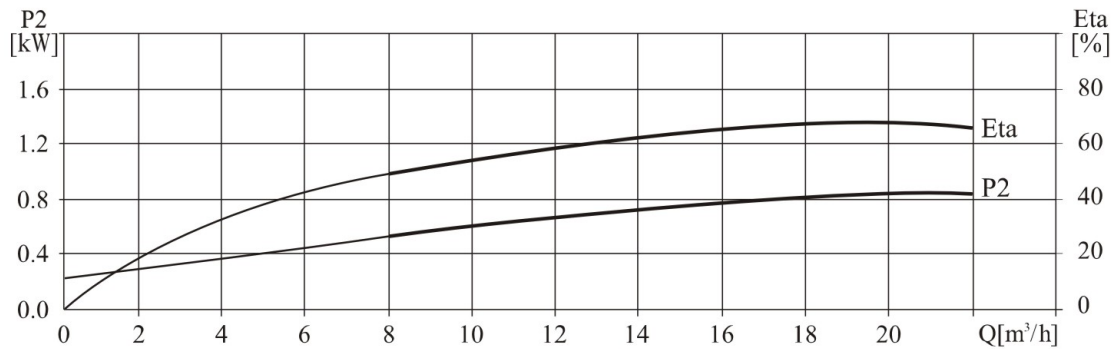
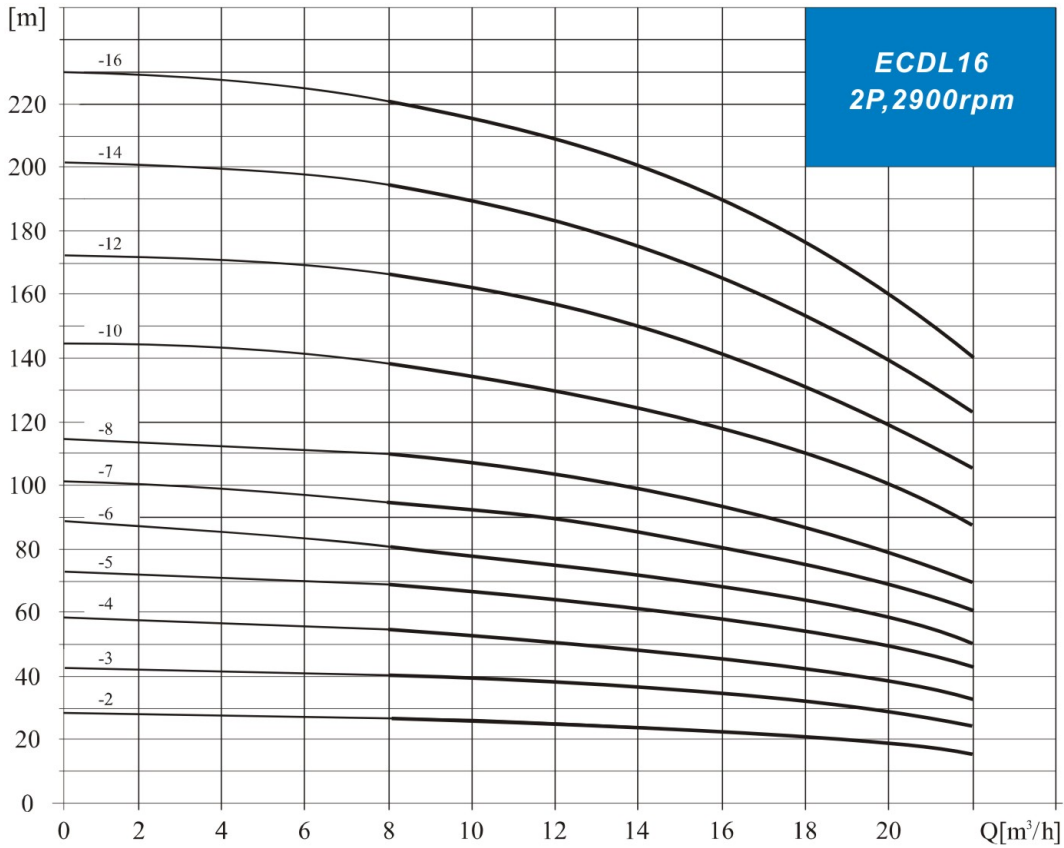


Model	Size (mm)						Weight (kg)
	B1	B2	B1+B2	D	D1	D2	
ECDL8-2	347	265	612	-	150	110	32
ECDL8-3	377	265	642	-	150	110	34
ECDL8-4	417	318	735	-	172	129	40
ECDL8-5	447	318	765	-	172	129	44
ECDL8-6	477	318	795	-	172	129	45
ECDL8-8	547	328	875	-	190	140	53
ECDL8-10	607	362	969	-	218	156	64
ECDL8-12	667	362	1029	-	218	156	66
ECDL8-14	747	415	1162	200	256	172	81
ECDL8-16	807	415	1222	200	256	172	84
ECDL8-18	867	415	1282	200	256	172	93
ECDL8-20	927	415	1342	200	256	172	94



ECDL16 Technical Data

Performance Curves

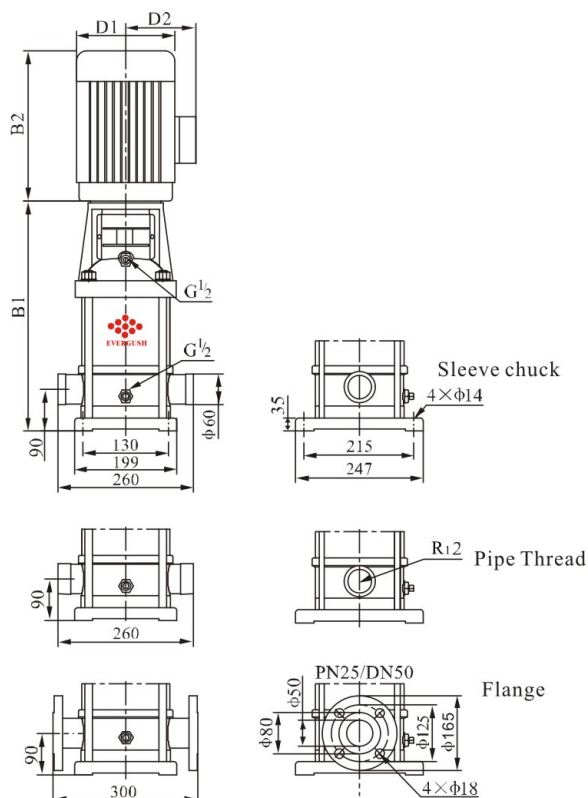


**ECDL16 Technical Data**

**▲ Performance Table**

MODEL	POWER(P2)		Q (M <sup>3</sup> /h)	8	10	12	14	16	18	20	22
	KW	HP									
ECDL16-2	2.2	3.0	H (m)	27	26	25	24	22	21	19	16
ECDL16-3	3.0	4.0		41	40	38	37	34	32	29	25
ECDL16-4	4.0	5.5		54	53	52	49	46	43	38	34
ECDL16-5	5.5	7.5		68	67	65	62	58	54	48	43
ECDL16-6	5.5	7.5		82	80	78	74	70	64	58	52
ECDL16-7	7.5	10		96	95	91	87	82	76	68	61
ECDL16-8	7.5	10		110	108	104	99	94	86	77	70
ECDL16-10	11	15		138	136	131	125	118	109	97	87
ECDL16-12	11	15		166	162	157	150	141	130	116	105
ECDL16-14	15	20		194	190	184	175	166	152	136	122
ECDL16-16	15	20		222	217	210	200	189	174	156	140

**▲ Dimensions & Weight**

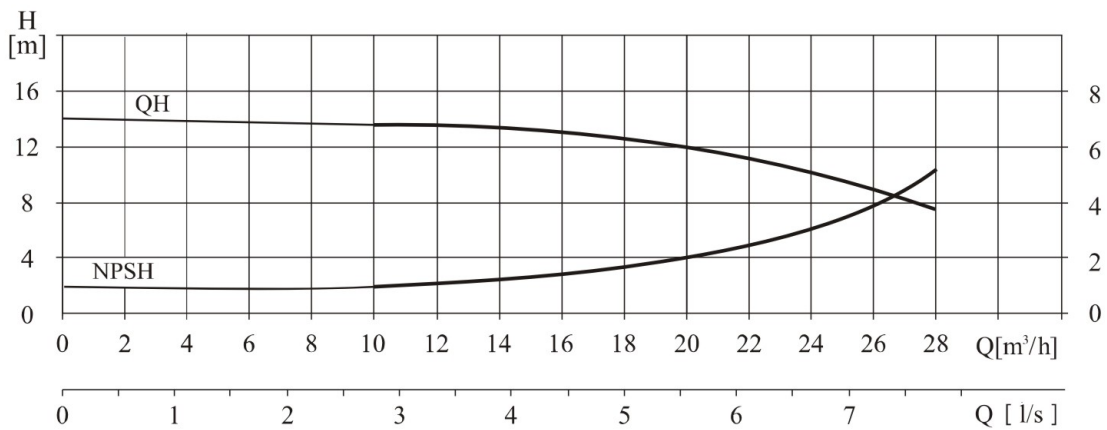
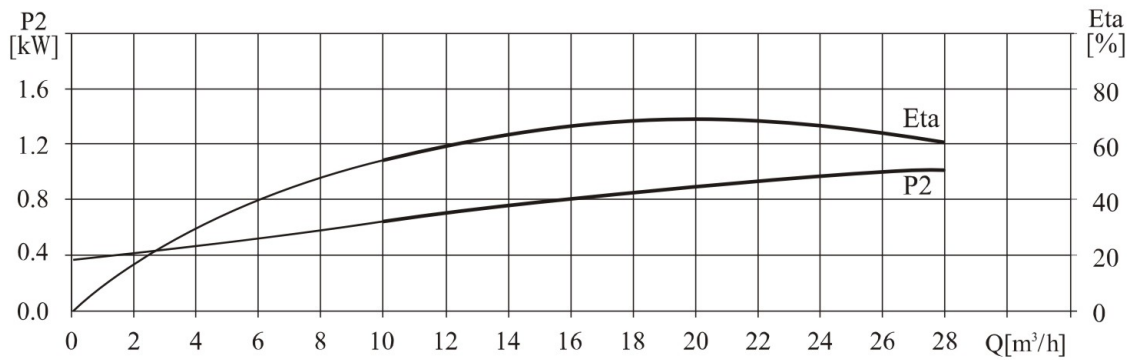
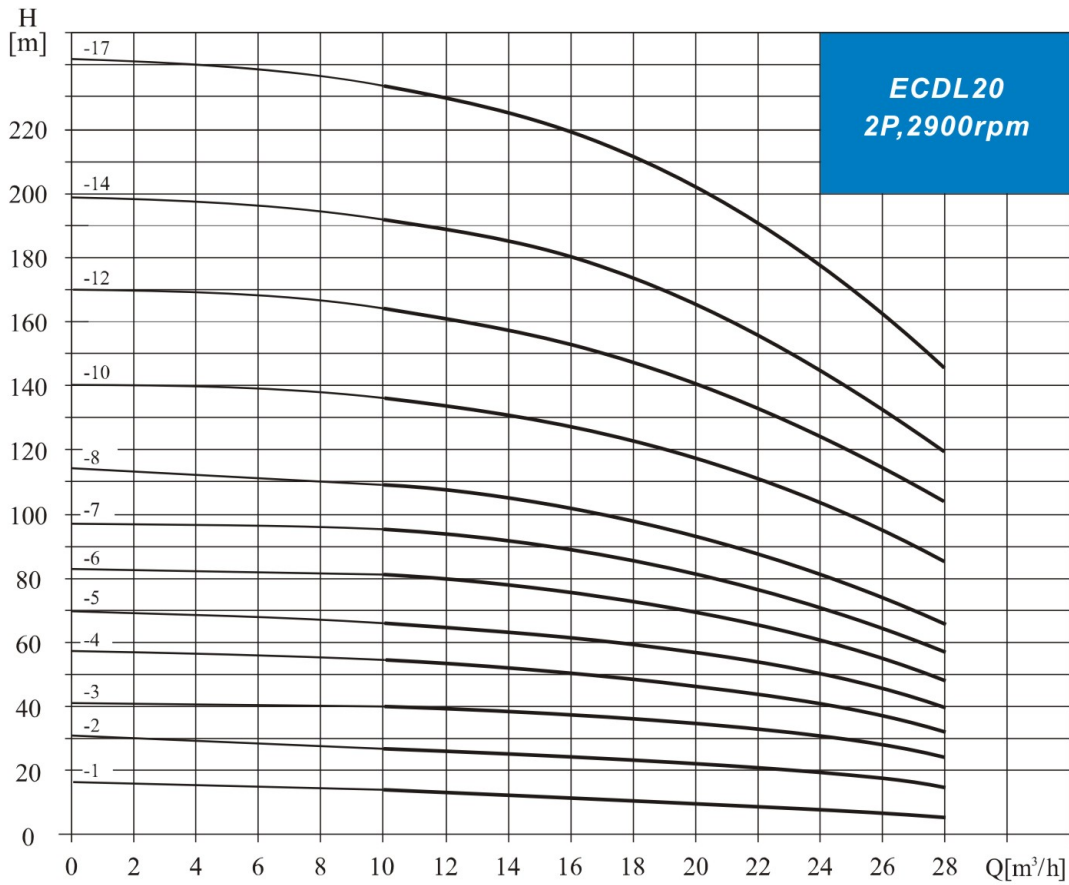


Model	Size (mm)						Weight (kg)
	B1	B2	B1+B2	D	D1	D2	
ECDL16-2	397	318	715	-	172	129	42
ECDL16-3	452	328	780	-	190	140	50
ECDL16-4	497	362	859	-	218	156	59
ECDL16-5	562	415	977	200	256	172	76
ECDL16-6	607	415	1022	200	256	172	77
ECDL16-7	652	415	1067	200	256	172	84
ECDL16-8	697	415	1112	200	256	172	86
ECDL16-10	875	495	1370	350	314	260	158
ECDL16-12	965	495	1460	350	314	260	161
ECDL16-14	1055	495	1550	350	314	260	174
ECDL16-16	1145	495	1640	350	314	260	178



**ECDL20 Technical Data**

**▲ Performance Curves**

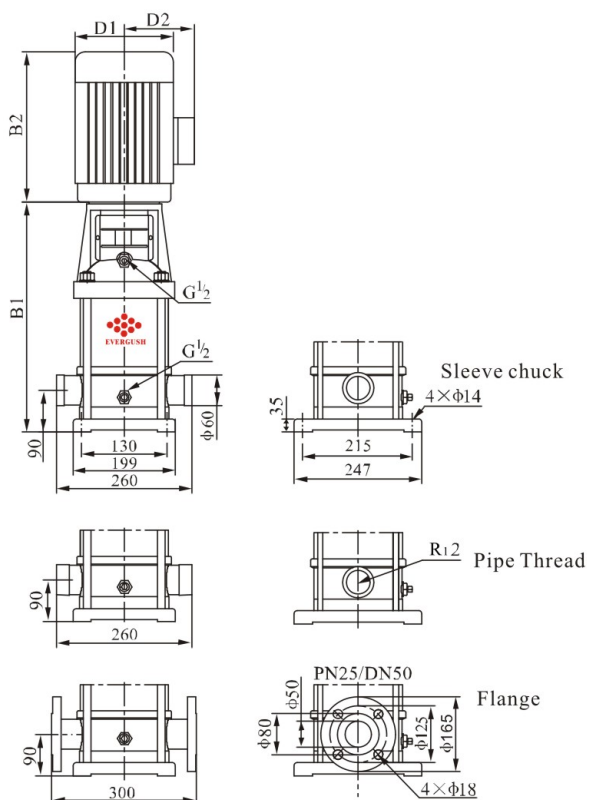


**ECDL20 Technical Data**

**▲ Performance Table**

MODEL	POWER(P2)		Q (M <sup>3</sup> /h)	H (m)									
	KW	HP		10	12	14	16	18	20	22	24	26	28
ECDL20-1	1.1	1.5	H (m)	13.5	13	12.5	12	11	10	9	8	7	6
ECDL20-2	2.2	3.0		27	26.5	26	25	24	23	22	20	18	15
ECDL20-3	4.0	5.5		40	39.5	39	38	37	35	33	30	27	24
ECDL20-4	5.5	7.5		54	53	52	51	49	47	44	41	37	33
ECDL20-5	5.5	7.5		67	66	64	62	60	58	55	50	45	40
ECDL20-6	7.5	10		81	79	77	75	73	70	66	61	55	49
ECDL20-7	7.5	10		95	93	91	89	86	82	77	71	65	58
ECDL20-8	11	15		109	107	105	102	99	94	89	82	75	67
ECDL20-10	11	15		136	134	131	128	124	118	111	103	95	85
ECDL20-12	15	20		164	162	158	154	149	142	133	124	114	102
ECDL20-14	15	20		192	189	185	180	174	166	156	145	133	119
ECDL20-17	18.5	25		234	230	225	219	212	202	190	177	162	145

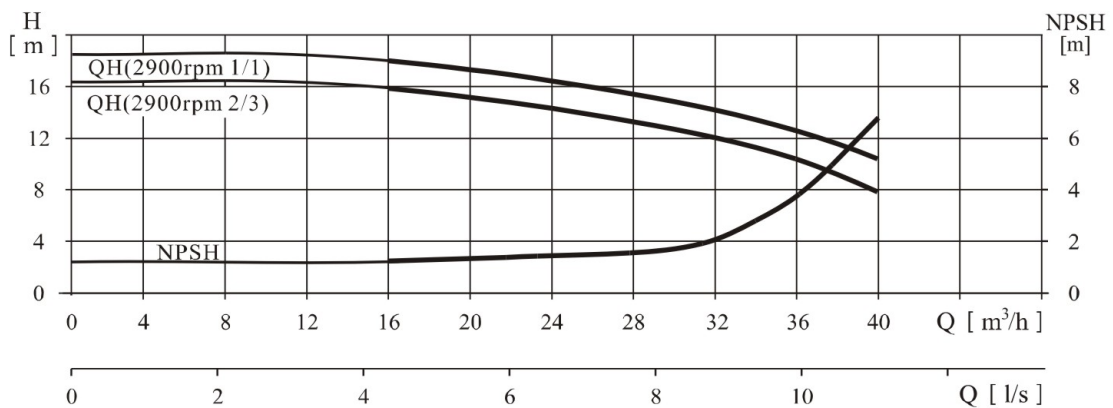
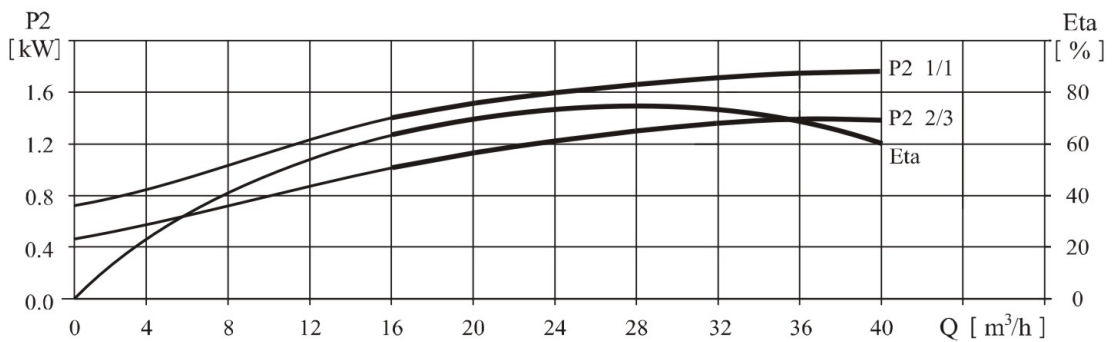
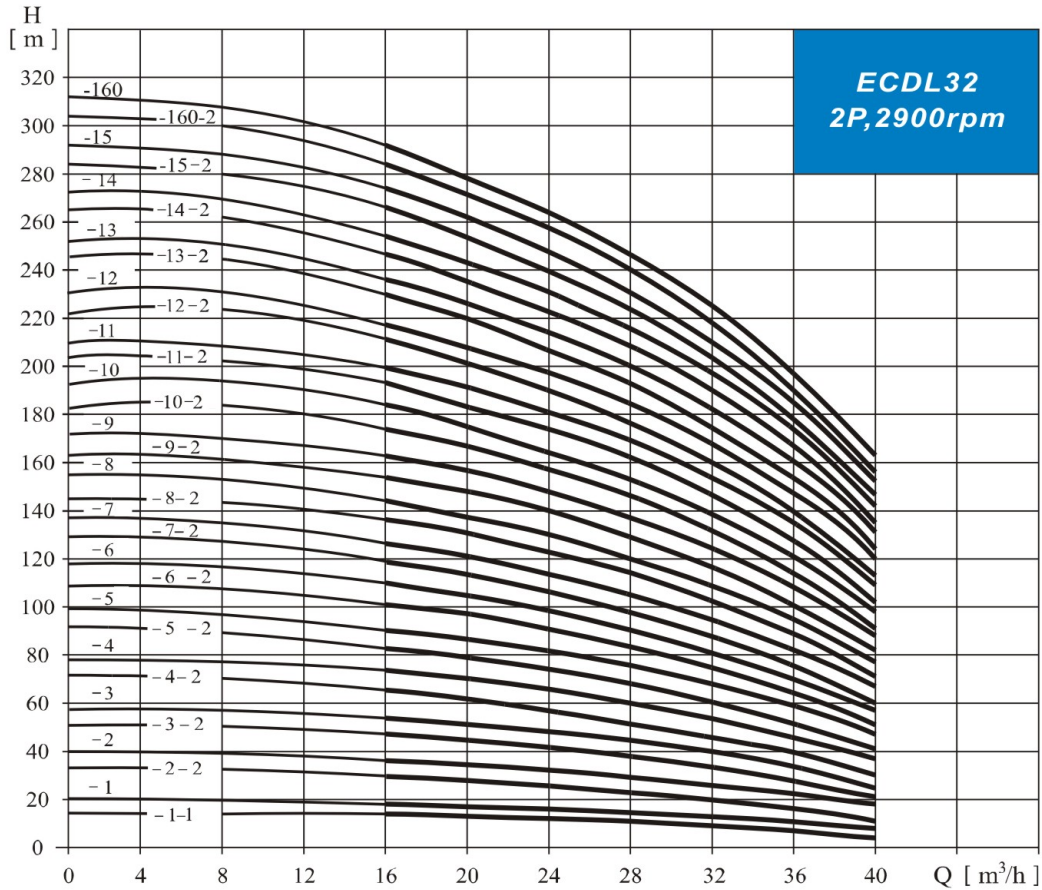
**▲ Dimensions & Weight**



Model	Size (mm)						Weight (kg)
	B1	B2	B1+B2	D	D1	D2	
ECDL20-1	387	265	652	-	150	110	33
ECDL20-2	397	318	715	-	172	129	42
ECDL20-3	452	362	814	-	218	156	58
ECDL20-4	517	415	932	200	256	172	74
ECDL20-5	562	415	977	200	256	172	76
ECDL20-6	607	415	1022	200	256	172	82
ECDL20-7	652	415	1067	200	256	172	84
ECDL20-8	785	495	1280	350	314	260	153
ECDL20-10	875	495	1370	350	314	260	157
ECDL20-12	965	495	1460	350	314	260	170
ECDL20-14	1055	495	1550	350	314	260	172
ECDL20-17	1190	540	1730	350	314	260	195

**ECDL32 Technical Data**

**▲ Performance Curves**



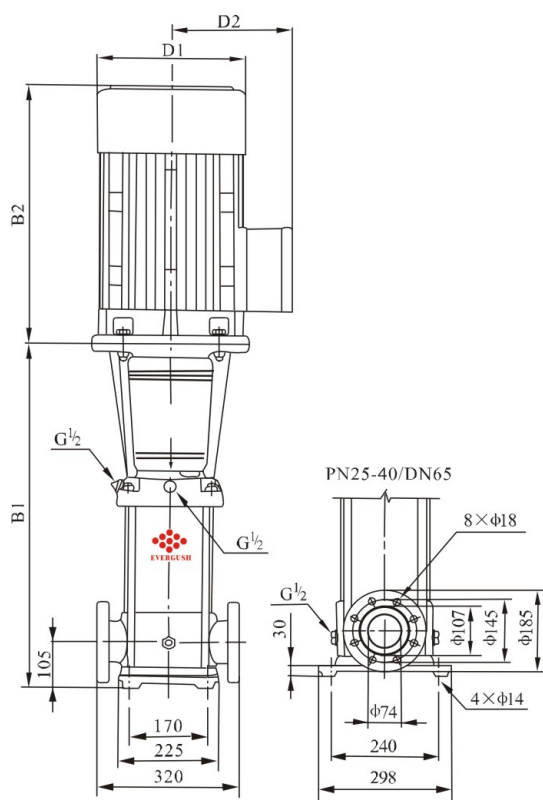


**ECDL32 Technical Data**

**▲ Performance Table**

MODEL	Power(P2)		Q (M <sup>3</sup> /h)	16	20	24	28	32	36	40	Model	Power(P2)		Q (M <sup>3</sup> /h)	16	20	24	28	32	36	40
	KW	HP										KW	HP								
ECDL32-1-1	1.5	2	H (m)	14	13	12	11	9	7	4	ECDL32-9-2	18.5	25	H (m)	154	148	140	129	117	102	82
ECDL32-1	2.2	3		18	17	15	14	13	11	8	ECDL32-9	18.5	25		162	156	147	136	124	109	88
ECDL32-2-2	3.0	4		29	28	26	23	20	16	11	ECDL32-10-2	18.5	25		175	166	157	146	131	115	91
ECDL32-2	4.0	5.5		36	34	32	29	27	23	18	ECDL32-10	18.5	25		182	173	164	152	138	122	98
ECDL32-3-2	5.5	7.5		47	44	41	38	33	28	21	ECDL32-11-2	22	30		193	184	173	164	146	128	102
ECDL32-3	5.5	7.5		54	51	48	44	40	35	27	ECDL32-11	22	30		200	191	180	168	153	135	109
ECDL32-4-2	7.5	10		65	62	58	53	46	40	30	ECDL32-12-2	22	30		211	201	189	178	160	140	113
ECDL32-4	7.5	10		72	69	65	59	53	47	37	ECDL32-12	22	30		218	208	196	184	167	147	120
ECDL32-5-2	11	15		83	79	74	68	60	52	41	ECDL32-13-2	30	40		230	218	206	193	174	153	124
ECDL32-5	11	15		90	86	81	74	67	59	47	ECDL32-13	30	40		237	225	213	200	181	160	131
ECDL32-6-2	11	15		101	97	90	83	74	65	51	ECDL32-14-2	30	40		247	235	222	210	189	165	135
ECDL32-6	11	15		108	104	97	90	81	72	57	ECDL32-14	30	40		255	242	229	216	196	172	142
ECDL32-7-2	15	20		119	114	107	98	88	78	60	ECDL32-15-2	30	40		266	253	239	224	203	178	145
ECDL32-7	15	20		126	121	113	105	95	85	67	ECDL32-15	30	40		274	260	246	231	210	185	152
ECDL32-8-2	15	20		136	131	123	114	102	90	71	ECDL32-16-2	30	40		284	270	255	240	218	190	156
ECDL32-8	15	20		144	138	130	120	109	97	77	ECDL32-16	30	40		292	277	262	246	225	197	163

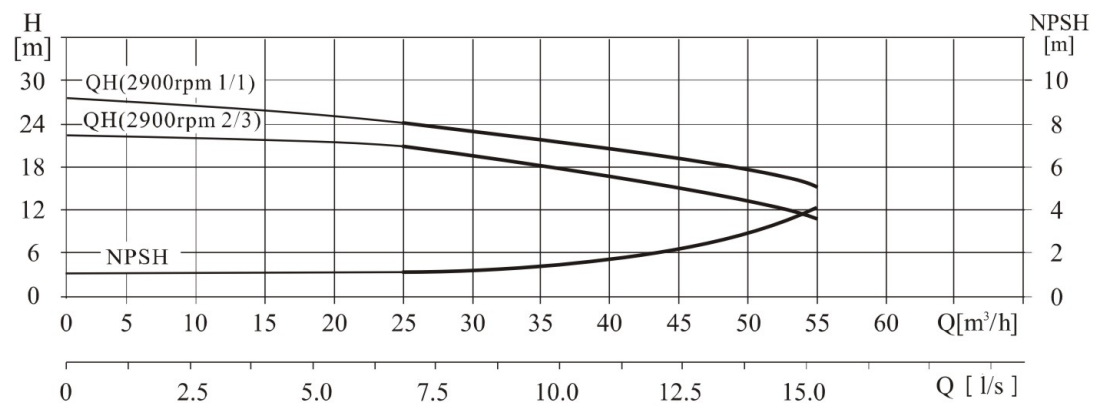
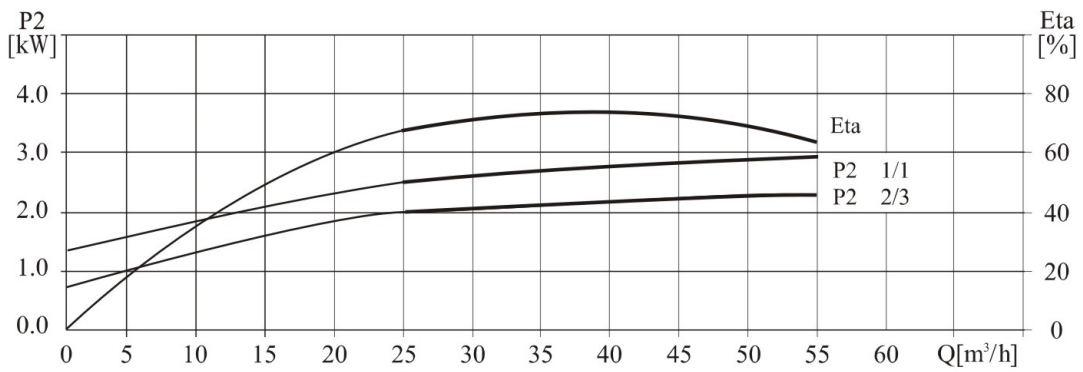
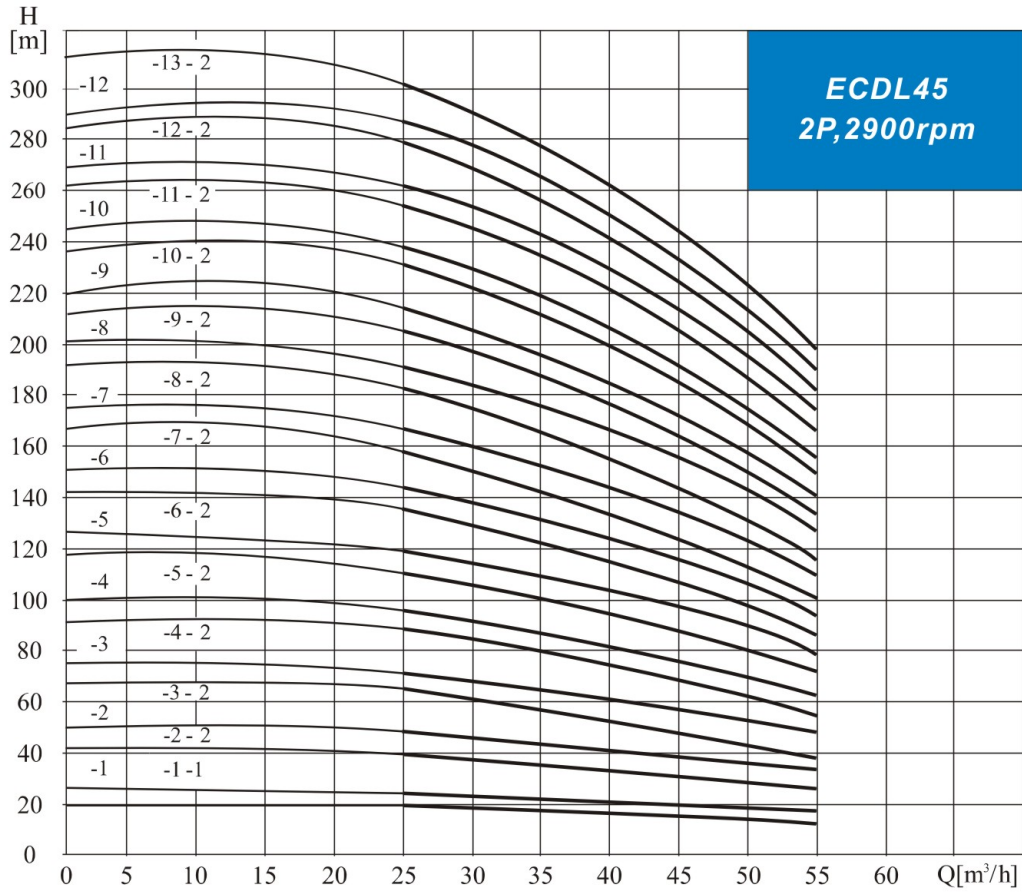
**▲ Dimensions & Weight**



Model	Size (mm)						Weight (kg)
	B1	B2	B1+B2	D	D1	D2	
ECDL32-1-1/ECDL32-1	505	318	823	-	172	129	64/68
ECDL32-2-2/ECDL32-2	575	328/362	903/937	-	190/218	140/156	77/85
ECDL32-3-2/ECDL32-3	645	415	1060	200	256	172	100
ECDL32-4-2/ECDL32-4	715	415	1130	200	256	172	109
ECDL32-5-2/ECDL32-5	890	495	1385	350	314	260	181
ECDL32-6-2/ECDL32-6	960	495	1455	350	314	260	185
ECDL32-7-2/ECDL32-7	1030	495	1525	350	314	260	199
ECDL32-8-2/ECDL32-8	1100	495	1595	350	314	260	203
ECDL32-9-2/ECDL32-9	1170	540	1710	350	314	260	222
ECDL32-10-2/ECDL32-10	1240	540	1780	350	314	260	227
ECDL32-11-2/ECDL32-11	1310	575	1885	350	355	265	272
ECDL32-12-2/ECDL32-12	1380	575	1955	350	355	265	276
ECDL32-13-2/ECDL32-13	1450	680	2130	400	397	305	293
ECDL32-14-2/ECDL32-14	1520	680	2200	400	397	305	298/341
ECDL32-15-2/ECDL32-15	1590	680	2270	400	397	305	345
ECDL32-16-2/ECDL32-16	1660	680	2340	400	397	305	350

**ECDL45 Technical Data**

**▲ Performance Curves**



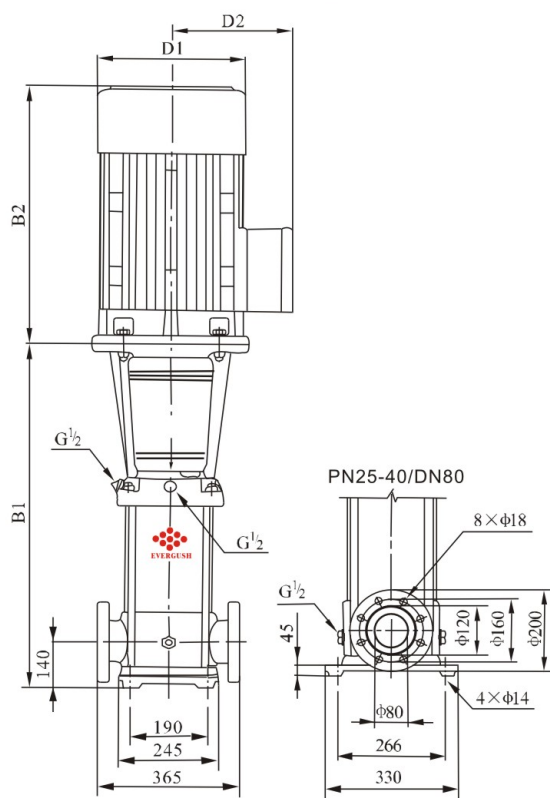


**ECDL45 Technical Data**

**▲ Performance Table**

MODEL	POWER(P2)		Q (M <sup>3</sup> /h)	25	30	35	40	45	50	55
	KW	HP								
ECDL45-1-1	3.0	4.0	H (m)	20	19	18	17	15	13	11
ECDL45-1	4.0	5.5		24	23	22	21	19	18	16
ECDL45-2-2	5.5	7.5		40	38	36	33	30	27	23
ECDL45-2	7.5	10		48	46	44	42	39	35	31
ECDL45-3-2	11	15		63	61	58	54	50	44	38
ECDL45-3	11	15		71	69	66	63	58	53	47
ECDL45-4-2	15	20		87	84	80	75	69	62	54
ECDL45-4	15	20		95	92	88	84	78	71	62
ECDL45-5-2	18.5	25		111	107	102	96	88	80	69
ECDL45-5	18.5	25		119	115	110	105	97	88	78
ECDL45-6-2	22	30		135	130	124	117	108	97	85
ECDL45-6	22	30		143	138	132	125	116	106	93
ECDL45-7-2	30	40		158	152	146	138	127	115	100
ECDL45-7	30	40		166	161	154	146	135	124	109
ECDL45-8-2	30	40		182	175	168	159	146	133	116
ECDL45-8	30	40		190	184	176	167	154	141	124
ECDL45-9-2	30	40		205	198	190	180	166	150	132
ECDL45-9	37	50		214	207	198	188	174	159	140
ECDL45-10-2	37	50		230	221	212	200	185	168	147
ECDL45-10	37	50		238	230	220	209	193	177	155
ECDL45-11-2	45	60	255	246	236	223	206	188	165	
ECDL45-11	45	60	263	255	244	232	214	196	173	
ECDL45-12-2	45	60	280	270	259	245	226	206	181	
ECDL45-12	45	60	289	280	268	255	236	216	190	
ECDL45-13-2	45	60	305	294	282	267	247	225	198	

**▲ Dimensions & Weight**

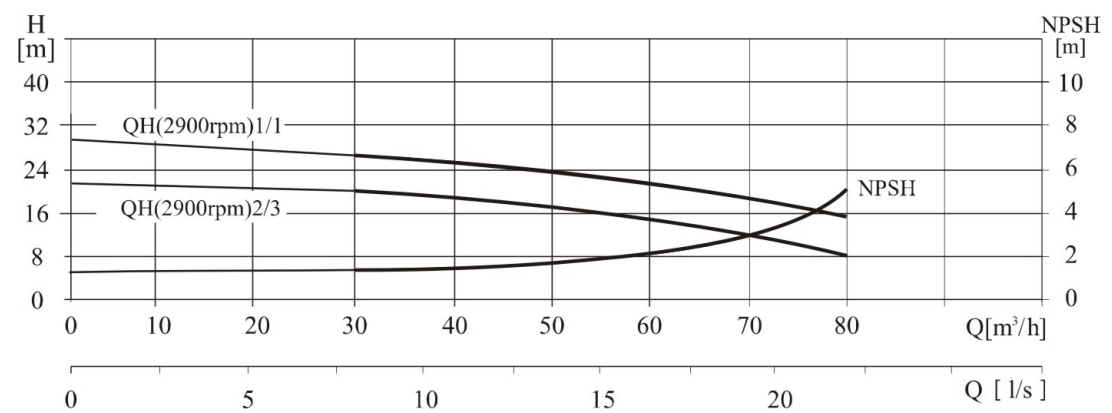
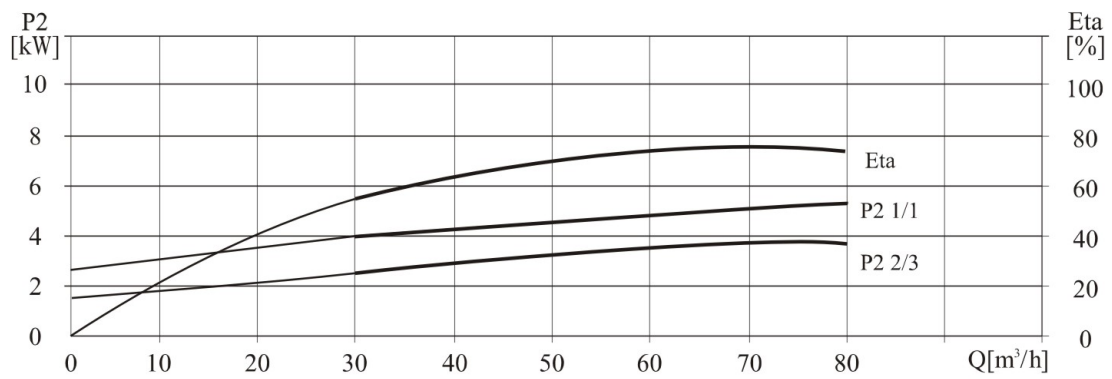
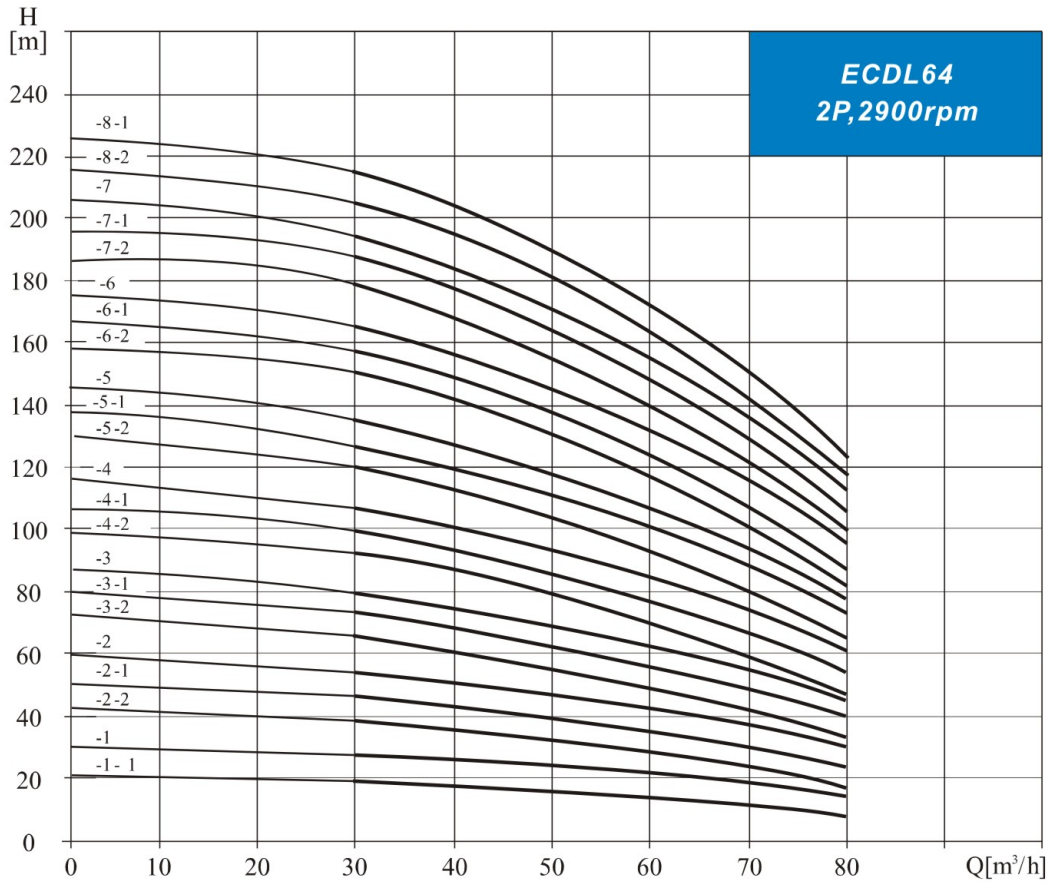


Model	Size (mm)						Weight (kg)
	B1	B2	B1+B2	D	D1	D2	
ECDL45-1-1	561	328/362	889/923	-	190/218	140/156	83/90
ECDL45-1							
ECDL45-2-2	641	415	1056	200	256	172	105/110
ECDL45-2							
ECDL45-3-2	826	495	1321	350	314	260	183
ECDL45-3							
ECDL45-4-2	906	495	1401	350	314	260	197
ECDL45-4							
ECDL45-5-2	986	540	1526	350	314	260	221
ECDL45-5							
ECDL45-6-2	1066	575	1641	350	355	265	261
ECDL45-6							
ECDL45-7-2	1146	680	1826	400	397	305	288
ECDL45-7							
ECDL45-8-2	1226	680	1906	400	397	305	324
ECDL45-8							
ECDL45-9-2	1306	680	1986	400	397	305	328/352
ECDL45-9							
ECDL45-10-2	1386	680	2066	400	397	305	355
ECDL45-10							
ECDL45-11-2	1466	700	2166	450	446	325	426
ECDL45-11							
ECDL45-12-2	1546	700	2246	450	446	325	432
ECDL45-12							
ECDL45-13-2	1626	700	2326	450	446	325	438



**ECDL64 Technical Data**

**▲ Performance Curves**

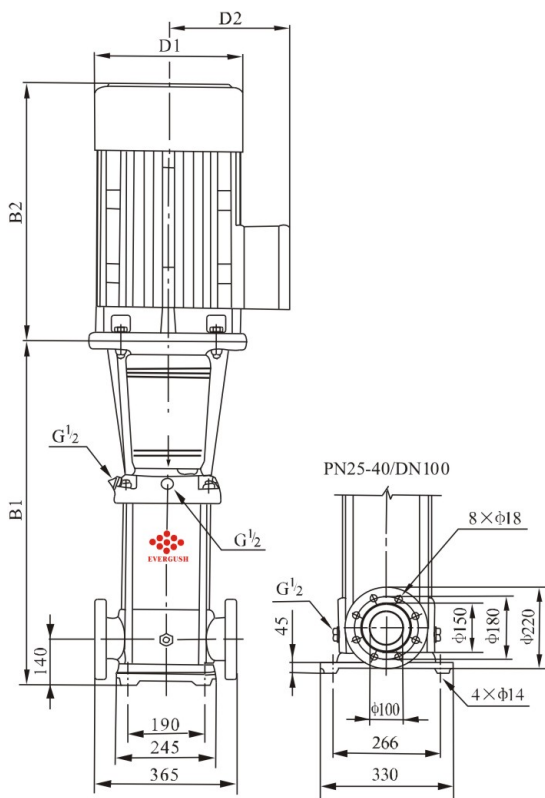


### ECDL64 Technical Data

#### Performance Table

MODEL	POWER(P2)		Q (M <sup>3</sup> /h)	30	40	50	60	64	70	80
	KW	HP								
ECDL64-1-1	4.0	5.5	H (m)	19	18	16	14	13	11	8
ECDL64-1	5.5	7.5		27	25	23	21	20	18	15
ECDL64-2-2	7.5	10		39	36	33	29	27	23	17
ECDL64-2-1	11	15		46	44	40	36	34	30	24
ECDL64-2	11	15		53	51	47	43	41	37	30
ECDL64-3-2	15	20		66	62	56	50	47	41	32
ECDL64-3-1	15	20		73	69	63	57	54	48	39
ECDL64-3	18.5	25		80	76	70	64	61	55	46
ECDL64-4-2	18.5	25		92	87	80	71	67	60	47
ECDL64-4-1	22	30		100	94	87	78	74	67	54
ECDL64-4	22	30		107	101	94	85	81	74	61
ECDL64-5-2	30	40		121	114	105	95	89	80	64
ECDL64-5-1	30	40		128	121	112	102	96	87	71
ECDL64-5	30	40		136	129	119	109	103	94	78
ECDL64-6-2	30	40		150	142	131	118	111	101	81
ECDL64-6-1	37	50		157	149	138	125	118	108	88
ECDL64-6	37	50		164	156	145	132	125	115	95
ECDL64-7-2	37	50		179	169	156	141	133	121	99
ECDL64-7-1	37	50		186	176	163	148	141	128	106
ECDL64-7	45	60		193	183	170	155	148	135	112
ECDL64-8-2	45	60		207	196	182	164	156	142	116
ECDL64-8-1	45	60		215	203	189	171	163	149	123

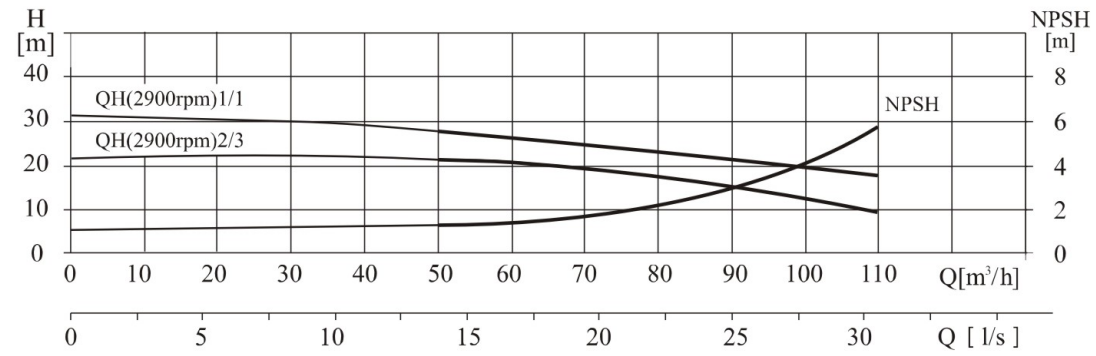
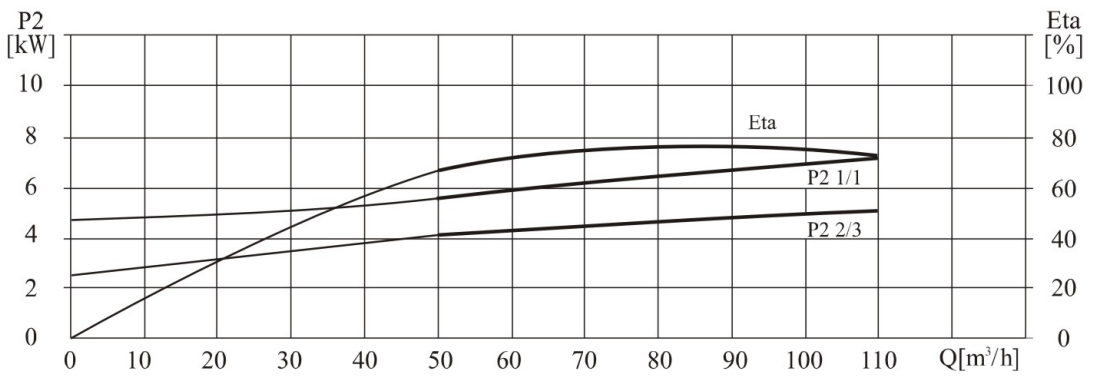
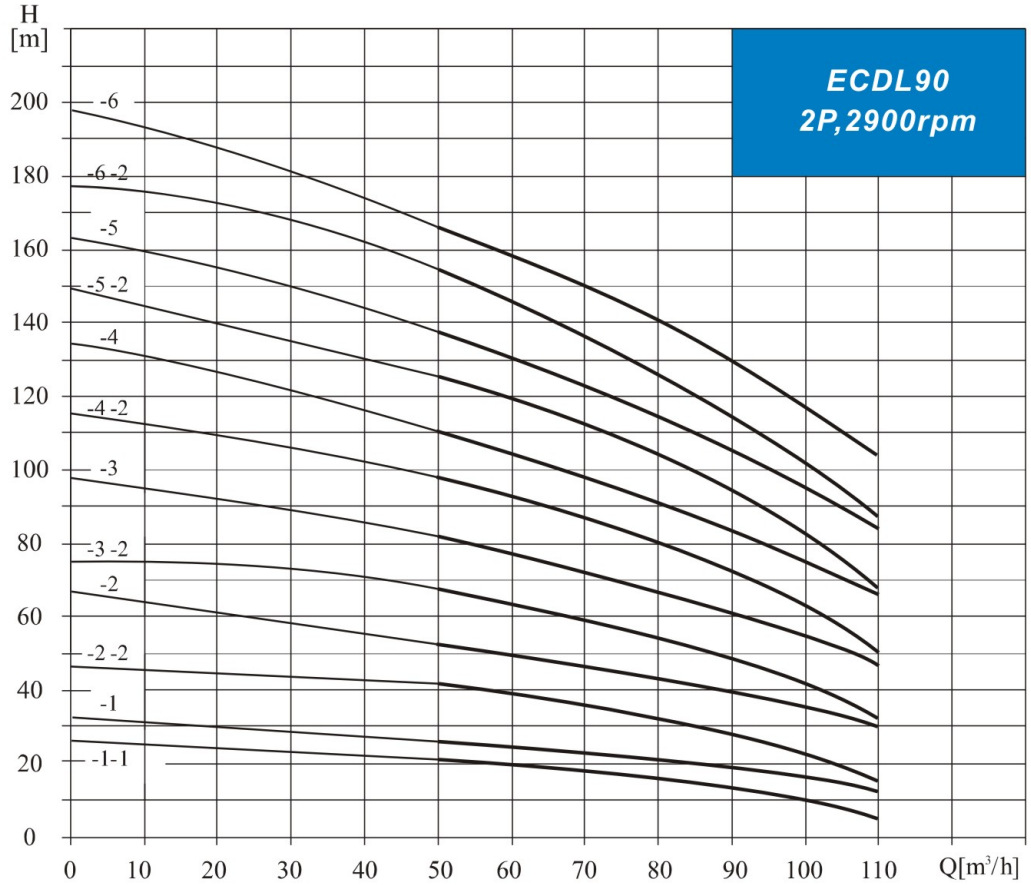
#### Dimensions & Weight



Model	Size (mm)						Weight (kg)
	B1	B2	B1+B2	D	D1	D2	
ECDL64-1-1	561	362	923	-	218	156	93
ECDL64-1	561	415	976	200	256	172	105
ECDL64-2-2	644	415	1059	200	256	172	110
ECDL64-2-1	754	495	1249	350	314	260	182
ECDL64-2	754	495	1249	350	314	260	182
ECDL64-3-2	836	495	1331	350	314	260	196
ECDL64-3-1	836	495	1331	350	314	260	197
ECDL64-3	836	540	1376	350	314	260	221
ECDL64-4-2	919	540	1459	350	314	260	225
ECDL64-4-1	919	575	1494	350	355	265	258
ECDL64-4	919	575	1494	350	355	265	258
ECDL64-5-2	1001	680	1681	400	397	307	276
ECDL64-5-1	1001	680	1681	400	397	307	276
ECDL64-5	1001	680	1681	400	397	307	320
ECDL64-6-2	1084	680	1764	400	397	307	324
ECDL64-6-1	1084	680	1764	400	397	307	349
ECDL64-4	1084	680	1764	400	397	307	349
ECDL64-7-2	1166	680	1846	400	397	307	353
ECDL64-7-1	1166	680	1846	400	397	307	353
ECDL64-7	1166	700	1866	450	446	325	420
ECDL64-8-2	1248	700	1948	450	446	325	424
ECDL64-8-1	1248	700	1948	450	446	325	424

**ECDL90 Technical Data**

**▲ Performance Curves**



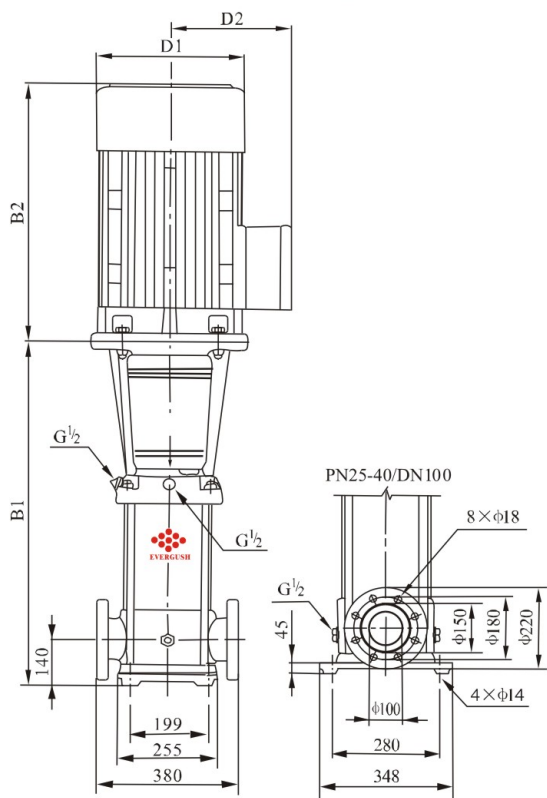


**ECDL90 Technical Data**

**▲ Performance Table**

MODEL	POWER(P2)		Q (M <sup>3</sup> /h)	50	60	70	80	90	100	110
	KW	HP								
ECDL90-1-1	5.5	7.5	H (m)	22	19	17	16	13	10	6
ECDL90-1	7.5	10		25	24	22	21	19	16	12
ECDL90-2-2	11	15		41	39	36	32	28	22	15
ECDL90-2	15	20		53	50	47	44	40	36	30
ECDL90-3-2	18.5	25		68	65	60	55	49	41	32
ECDL90-3	22	30		81	77	72	67	62	55	48
ECDL90-4-2	30	40		98	93	87	80	72	62	50
ECDL90-4	30	40		110	105	100	92	84	76	66
ECDL90-5-2	37	50		126	120	113	104	93	81	68
ECDL90-5	37	50		139	131	124	115	106	94	83
ECDL90-6-2	45	60		155	148	139	129	117	102	86
ECDL90-6	45	60		168	160	150	141	130	117	103

**▲ Dimensions & Weight**



Model	Size (mm)						Weight (kg)
	B1	B2	B1+B2	D	D1	D2	
ECDL90-1-1	571	415	986	200	256	172	105
ECDL90-1	571	415	986	200	256	172	110
ECDL90-2-2	773	495	1268	350	314	260	181
ECDL90-2	773	495	1268	350	314	260	192
ECDL90-3-2	865	540	1405	350	314	260	215
ECDL90-3	865	575	1440	350	355	265	252
ECDL90-4-2	957	680	1637	400	397	307	312
ECDL90-4	957	680	1637	400	397	307	312
ECDL90-5-2	1049	680	1729	400	397	307	336
ECDL90-5	1049	680	1729	400	397	307	336
ECDL90-6-2	1141	700	1841	450	446	325	407
ECDL90-6	1141	700	1841	450	446	325	407